

Service
Service
Service



Service Manual

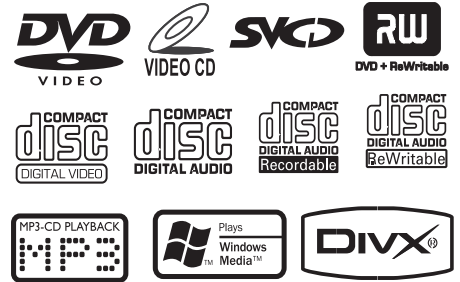


TABLE OF CONTENTS

Service Aids..... 1-1
 CD Playability Check..... 1-2...1-4

Technical specification..... 2-1
 Service tools 2-1
 Service measurement setup..... 2-2

Disassembly diagram..... 3-1... 3-6

Software version check and upgrading 4-1

Block diagram..... 5-1
 Wiring diagram 6-1

VFD Board
 circuit diagram 7-1
 layout diagram 7-2

AMP Board
 circuit diagram 8-1
 layout diagram 8-2... 8-3

Tuner Board
 circuit diagram..... 9-1
 layout diagram 9-2

Power Board
 circuit diagram..... 10-1
 layout diagram 10-2... 10-3

DVD MPEG Board
 circuit diagram..... 11-1... 11-5
 layout diagram 11-6

CPU Board
 circuit diagram..... 12-1
 layout diagram 12-2... 12-3

Spare partslist..... 13-1... 13-2

Supplier Original partslist

© Copyright 2007 Philips Consumer Electronics B.V. Eindhoven, The Netherlands
 All rights reserved. No part of this publication may be reproduced, stored in a retrieval system or transmitted, in any form or by any means, electronic, mechanical, photocopying, or otherwise without the prior permission of Philips.



SERVICE AIDS

Service Tools:

Universal Torx driver holder	4822 395 91019
Torx bit T10 150mm	4822 395 50456
Torx driver set T6-T20	4822 395 50145
Torx driver T10 extended	4822 395 50423

Compact Disc:

SBC426/426A Test disc 5 + 5A	4822 397 30096
SBC442 Audio Burn-in test disc 1kHz	4822 397 30155
SBC429 Audio Signals disc	4822 397 30184
Dolby Pro-logic Test Disc	4822 395 10216

GB WARNING


All ICs and many other semi-conductors are susceptible to electrostatic discharges (ESD). Careless handling during repair can reduce life drastically.
When repairing, make sure that you are connected with the same potential as the mass of the set via a wrist wrap with resistance. Keep components and tools also at this potential.

ESD



GB

Safety regulations require that the set be restored to its original condition and that parts which are identical with those specified, be used

Safety components are marked by the symbol .

**CLASS 1
LASER PRODUCT**

INFORMATION ABOUT LEAD-FREE SOLDERING

Philips CE is producing lead-free sets from 1.1.2005 onwards.

IDENTIFICATION:

Regardless of special logo (not always indicated) one must treat all sets from 1 Jan 2005 onwards, according next rules:



- On our website www.atyourservice.ce.Philips.com you find more information to:
 - * BGA-de-/soldering (+ baking instructions)
 - * Heating-profiles of BGAs and other ICs used in Philips-sets
 - * Lead free

You will find this and more technical information within the "magazine", chapter "workshop news".

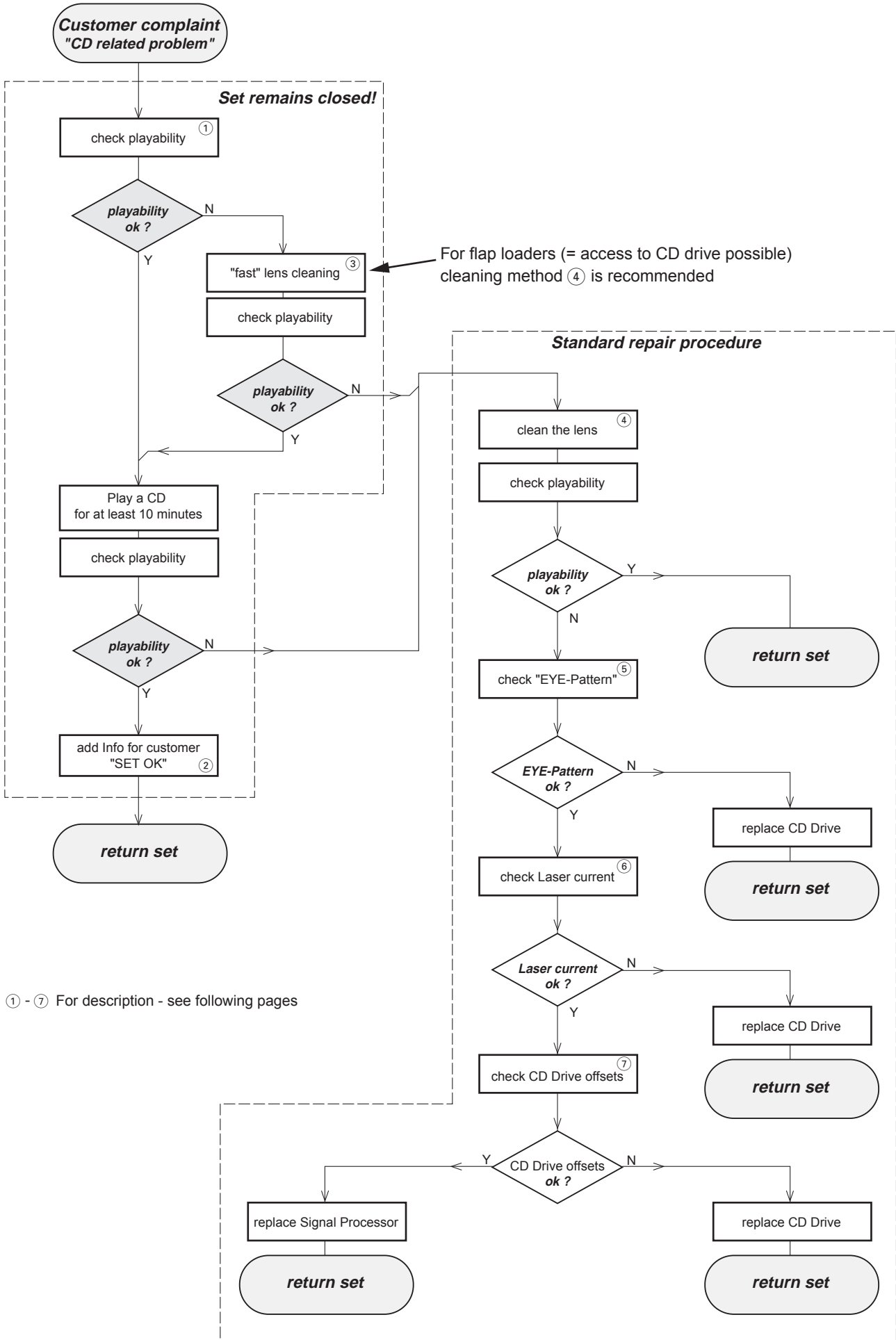
For additional questions please contact your local repair-helpdesk.

SERVICE INSTRUCTION

Safety regulations require that after a repair, the set must be returned in its original condition. Pay in particular attention to the following points:

- Route the wire trees correctly and fix them with the mounted cable clamps.
- Check the insulation of the AC Power lead for external damage.
- Check the strain relief of the AC Power cord for proper function.
- Check the electrical DC resistance between the AC Power Plug and the secondary side (only for sets which have a AC Power isolated power supply):
 1. Unplug the AC Power cord and connect a wire between the two pins of the AC Power plug.
 2. Set the AC Power switch to the "on" position (keep the AC Power cord unplugged!).
 3. Measure the resistance value between the pins of the AC Power plug and the metal shielding of the tuner or the aerial connection on the set. The reading should be larger than 4.5 Mohm (For U.S. it should be between 4.2 Mohm and 12 Mohm).
 4. Switch "off" the set, and remove the wire between the two pins of the AC Power plug.
- Check the cabinet for defects, to avoid touching of any inner parts by the customer.

CD PLAYABILITY CHECK



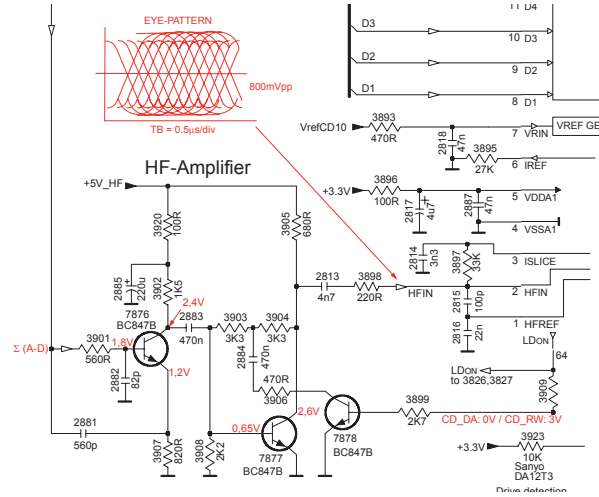
① - ⑦ For description - see following pages

CD PLAYABILITY CHECK

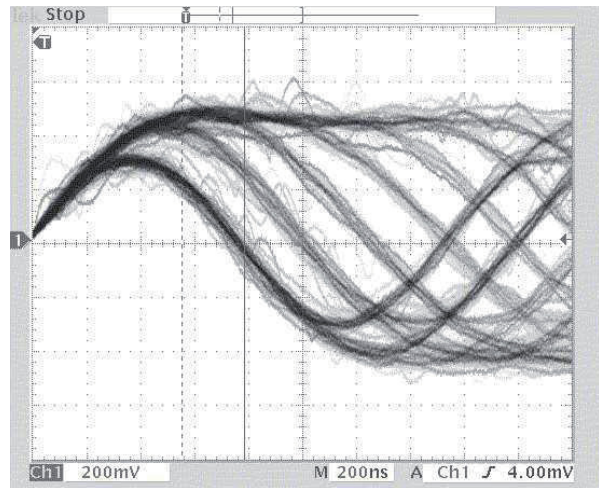
5

EYE-PATTERN SIGNAL – JITTER MEASUREMENT

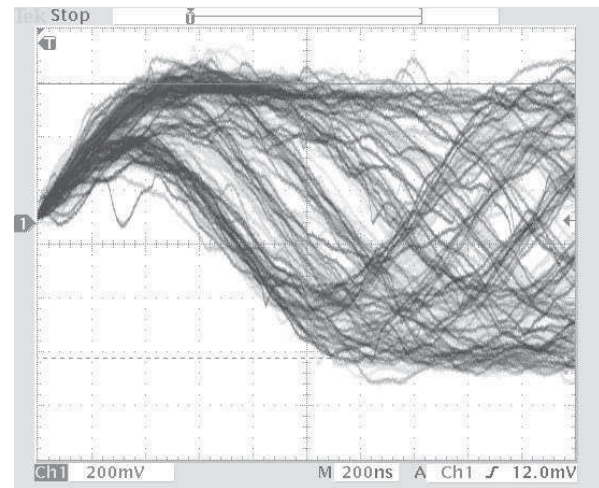
Measure the signal on the input of the Signal processor using an **analog** oscilloscope. Please find the exact measuring point in your Service Manual.



See below examples of the signal. Amplitude should read at least 700mVpp using SBC444A.



good



bad

If the oscilloscope shows a signal like the 'bad' one, and/or the amplitude decreases within 1 minute - the CD drive has to be replaced.

6

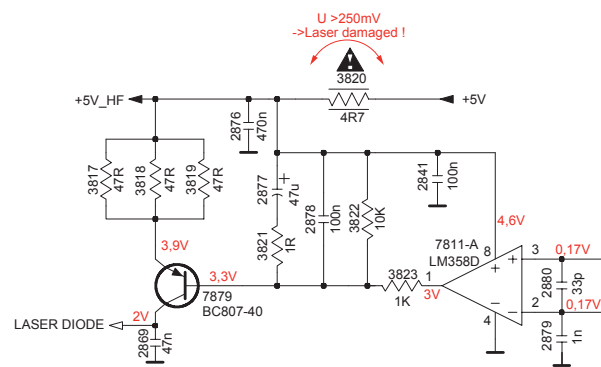
CD DRIVE – LASER CURRENT MEASUREMENT

The laser current can be measured as a voltage drop on a resistor. The resistor is marked in every Service Manual. The value depends on the type of CD drive.

	typical value	most probably defect
VAMxxxx	: 150-230mV	≥350mV
MCDxx	: 170-230mV	≥300mV
DA1x	: 210-250mV	≥350mV
DA2x	: 175-200mV	≥250mV

Use SBC444A (CD-DA) for measurement.

Laser power control



7

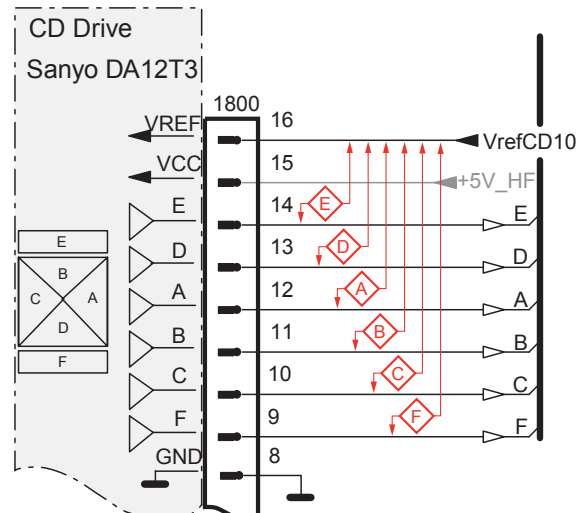
CD DRIVE – OFFSET MEASUREMENT

The photodiodes of the CD-drive may have an offset. These offsets have to be compensated by the signal processor. High offsets can lead to poor playability of some CDs (skipping tracks).

To measure the offset values, start the **Service Test Program** - section "Focus Test" without a CD.

The offsets can be measured with a DC Millivoltmeter directly on the connector (see drawing below). Pin numbering varies from drive to drive.

The values from diode A-D should read $0 \pm 10mV$. Diodes E and F are less critical.



If one of the offsets is higher than $\pm 10mV$ the CD drive has to be replaced. Otherwise replace the Signal Processor.

TECHNICAL SPECIFICATIONS

SYSTEM

Power supply	120V / 60 Hz
Total output power	480W
L, R Front	50Wx2 at 1KHz, THD 1%
L, R Rear	50Wx2 at 1KHz, THD 1%
Center	140Wx1 at 1KHz, THD 1%
Subwoofer	140Wx1 at 63Hz, THD 1%
AUX input sensitivity	≤ 550mV
Channel Separation	≥ 40dB
Distortion	0.7%

DVD

Frequency response	100Hz-20kHz (±2dB)
Video output	1 V _{P-P}
Horizontal definition	≥ 500 (TV)
Dimensions	
.....	232 (W) x 75.5 (H) x 227 (D) mm
Weight	1.75 kg

AMPLIFIER

Rated output power (THD = 10%)	
.....	4x75W (4Ω)+2x150W (8Ω)
Frequency response	100Hz-20kHz (±2dB)
S/N Ratio	≥ 60dB
Loaded impedance	8 Ω/4 Ω
Dimensions	
.....	232 (W) x 75.5 (H) x 235 (D) mm
Weight	3.8kg

TUNER

FM Frequency range	87.5-108 MHz
FM Noise limit sensitivity	≤ 20μ V/M
FM S/N	≥ 46dB
AM Frequency range	520-1710 kHz
AM Noise limit sensitivity	≤ 3.0 mV/m
AM S/N	≥ 40dB

SPEAKERS

Front Speakers

System	2-way shielded
Impedance	4 Ω
Speaker drivers	2x4" woofer; ribbon tw
Dimensions (w x h x d)	
.....	223 mm x 1012 mm x 223 mm
Weight	12.95 kg

Center Speaker

System	2-way shielded
Impedance	8 Ω
Speaker drivers	4" woofer; 2" tw
Dimensions (w x h x d)	
.....	392mm x 144 mm x 67 mm
Weight	2.45 kg

Surround Speakers

System	2-way shielded
Impedance	4 Ω
Speaker drivers	1 x 3" woofer; Pieze
Dimensions (w x h x d)	
.....	144 mm x 250 mm x 50 mm
Weight	2.6 kg

SUBWOOFER

Subwoofer (not magnetically shielded design)	
.....	8"
Impedance	8 Ω
Dimensions (w x h x d)	
.....	255 mm x 336 mm x 426 mm
Weight	12.6 kg

REMOTE

Distance	6m
Angle	± 30°

Specifications subject to change without prior notice

SERVICE TOOLS

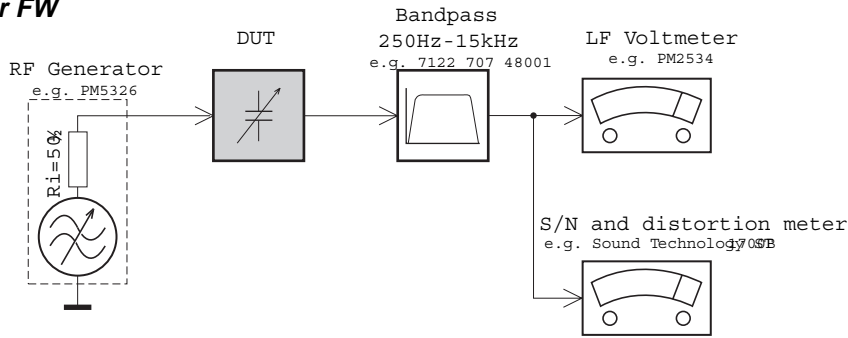
TORX T10 screwdriver with shaftlength 150mm.....	4822 395 50423
TORX screwdriver set SBC 163.....	4822 295 50145
Audio signal disc SBC 429.....	4822 397 30184
Playability test disc SBC 444.....	4822 397 30245
Test disc 5 (disc without errors) +	
Test disc 5A (disc with dropout errors, black spots and fingerprints)	
SBC 426/426A.....	4822 397 30096
Burn in test disc (65 min. 1kHz signal at -30 dB level without "pause").....	4822 397 30155
Universal test cassette Fe SBC 420.....	4822 397 30071

AVAILABLE ESD PROTECTION EQUIPMENT

anti-static table mat large 1200x650x1.25mm	4822 466 10953
small 600x650x1.25mm	4822 466 10958
anti-static wristband	4822 395 10223
connection box (3 press stud connections, 1MΩ)	4822 320 11307
extendible cable (2m, 2MΩ, to connect wristband to connection box)	4822 320 11305
connecting cable (3m, 2MΩ, to connect table mat to connection box)	4822 320 11306
earth cable (1MΩ, to connect any product to mat or to connection box)	4822 320 11308
KIT ESD3 (combining all 6 prior products - small table mat)	4822 310 10671
wristband tester	4822 344 13999

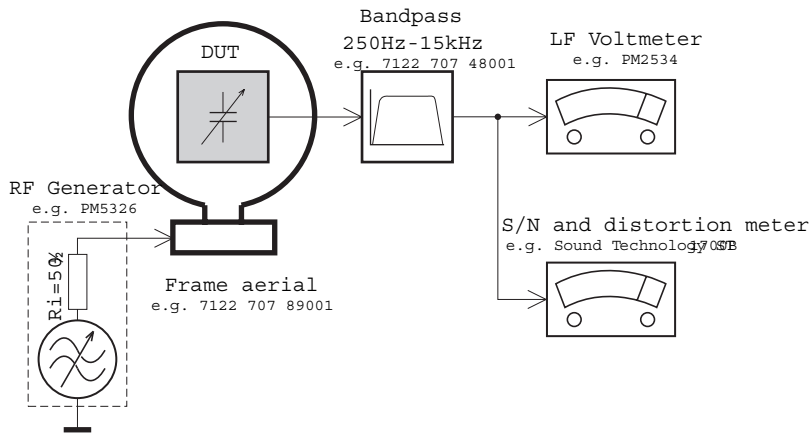
SERVICE MEASUREMENT

Tuner FW



Use a bandpass filter to eliminate hum (50Hz, 100Hz) and disturbance from the pilot tone (19kHz, 38kHz)

Tuner AM (MW,LW)



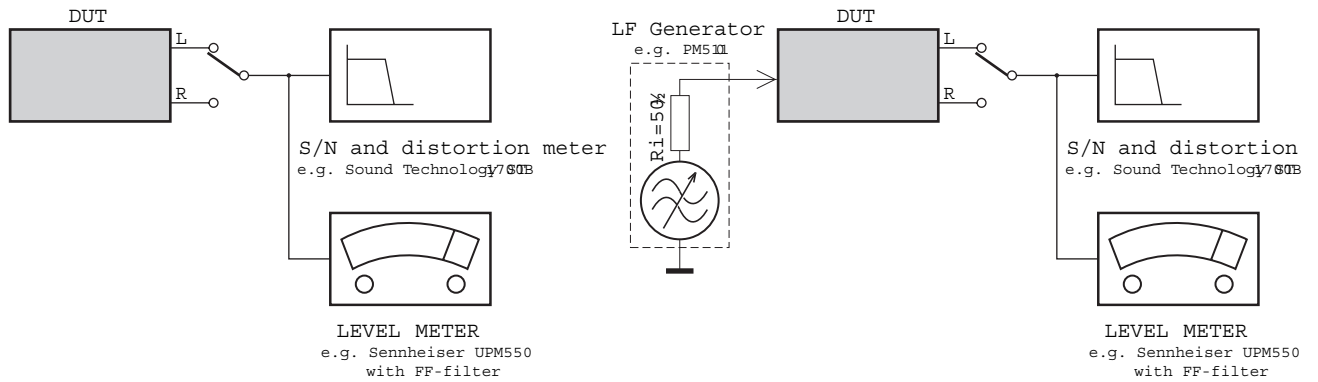
To avoid atmospheric interference all AM-measurements have to be carried out in a Faraday«s cage. Use a bandpass filter (or at least a high pass filter with 250kHz) to eliminate hum (50Hz, 100Hz).

CD

Use Audio Signal Disc SBC429 (replaces test disc 3)

RECORDER

4822 397 30184 Use Universal Test Cassette Fe SBC420 4822 397

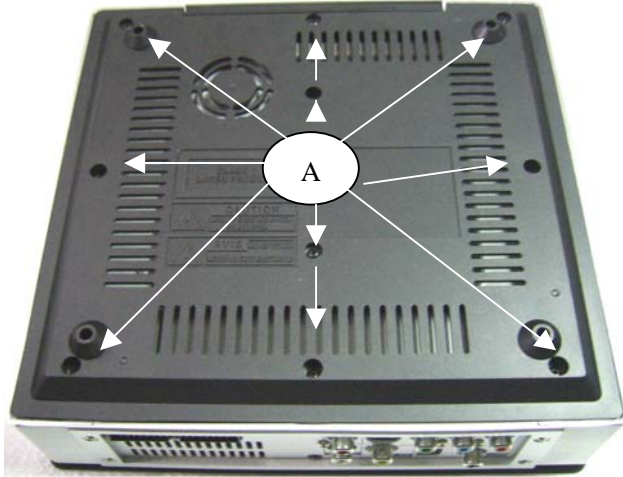


Disassembly diagram

DVD part

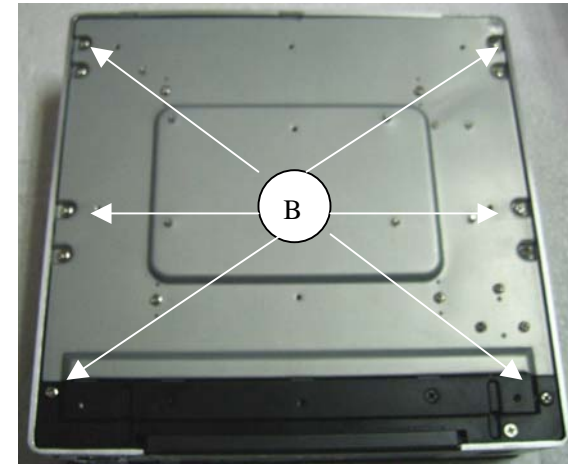
A、 Remove bottom cover

A1、 Remove screws 2.5×7 PWMTT (3PCS), 2.6×5 PWMTT (7PCS)



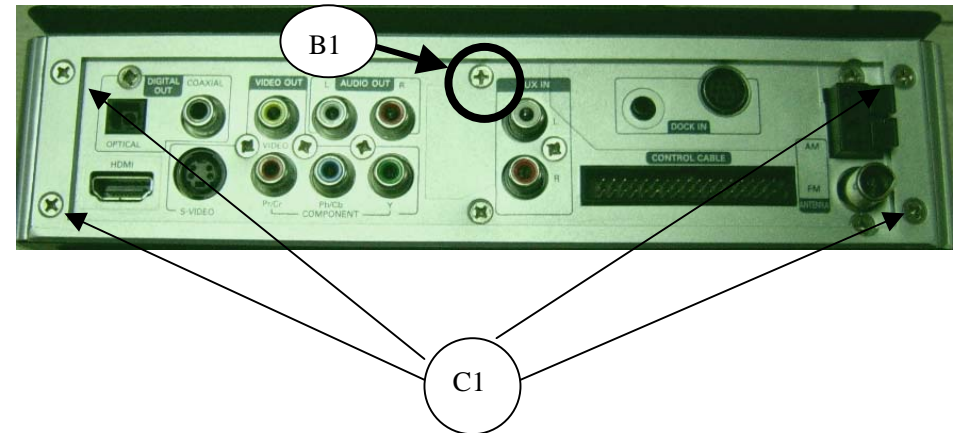
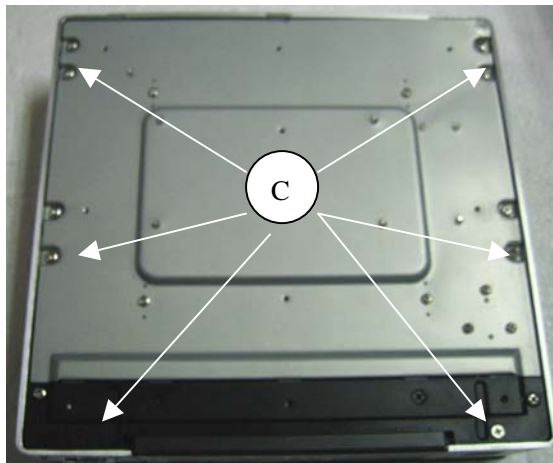
B、 Remove top cover and screws 3×10 PTH (4PCS) 3×8 FT (2PCS)

B1.Remove screws 3×10 FA (1PCS)



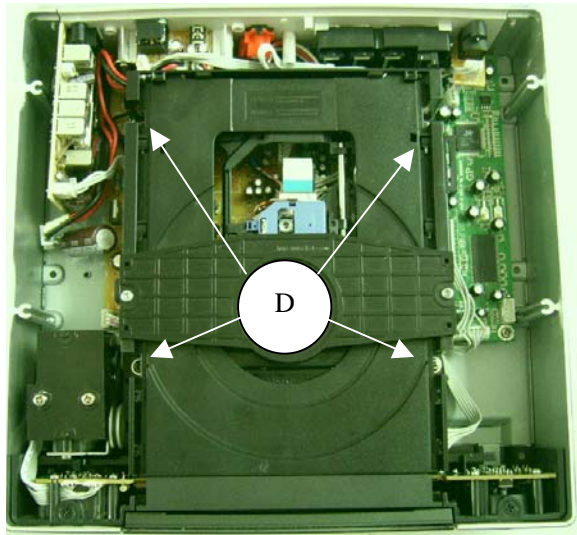
C、 Remove around of side panel and screws 3×6 BTH (4PCS) 3×6 FMTT (2PCS)

C1、 Remove screws 3×4 FMTT (4PCS)

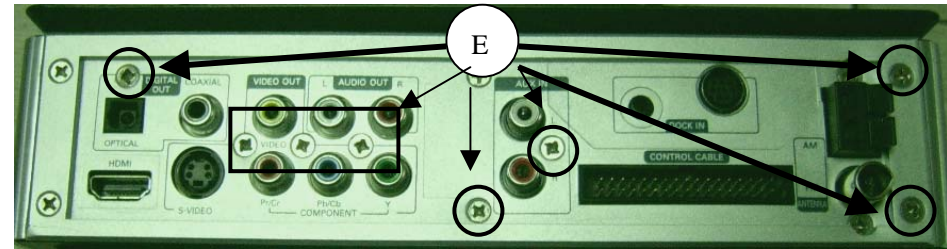


Disassembly diagram

D. Remove mechanism and screws 3×10PWA (2PCS) 3×8PWMTT (2PCS)

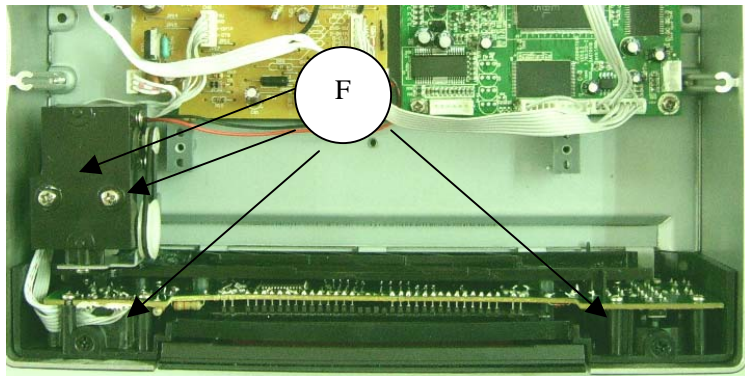


E. Remove back panel and screws 3×10FA (7PCS)
3×6FMTT (1PC)

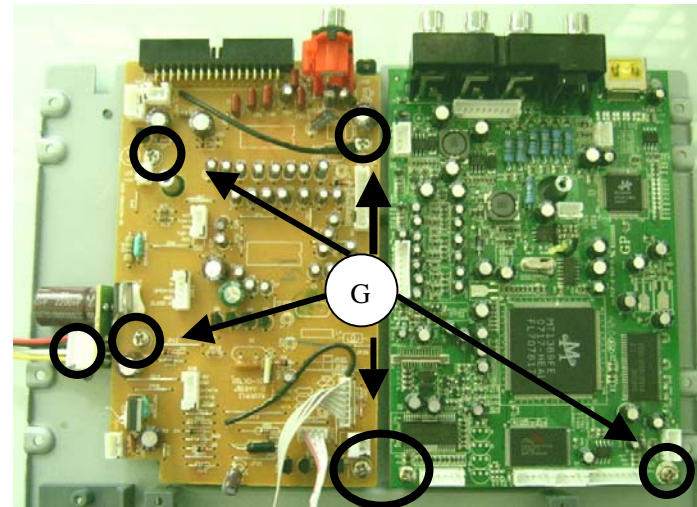


F. Remove motor and side panel

And loosen screws 3×6FT (2PCS) 3×10BT (2PCS)

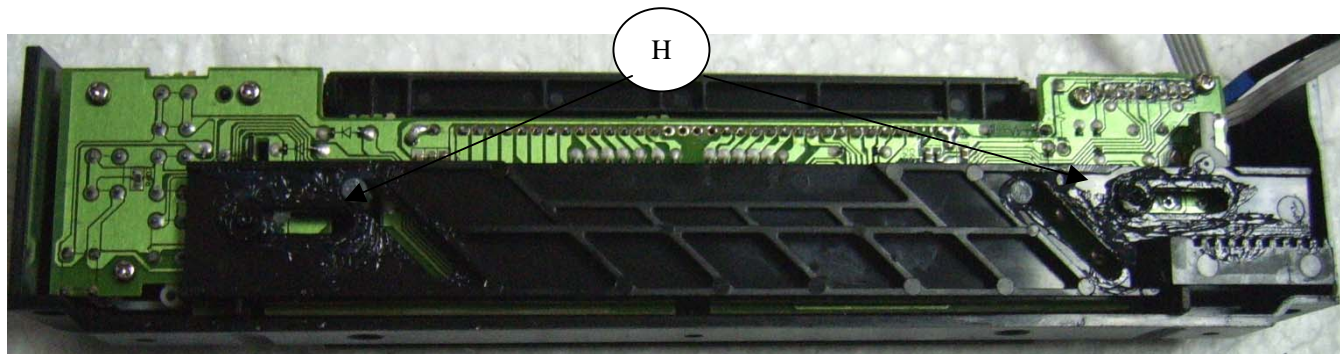


G. Remove CPU board, MPEG, IC and loosen screws
3×6PM (6PCS) 3×4FMTT (1PC)



Disassembly diagram

H、 Remove slide plank and screws $2 \times 5\text{PWA}$ (2PCS)

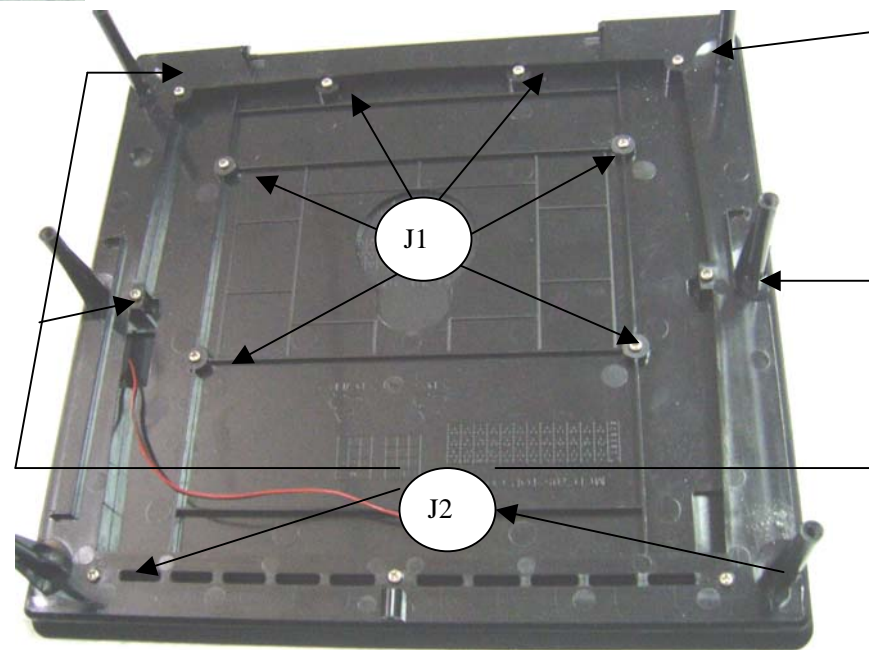
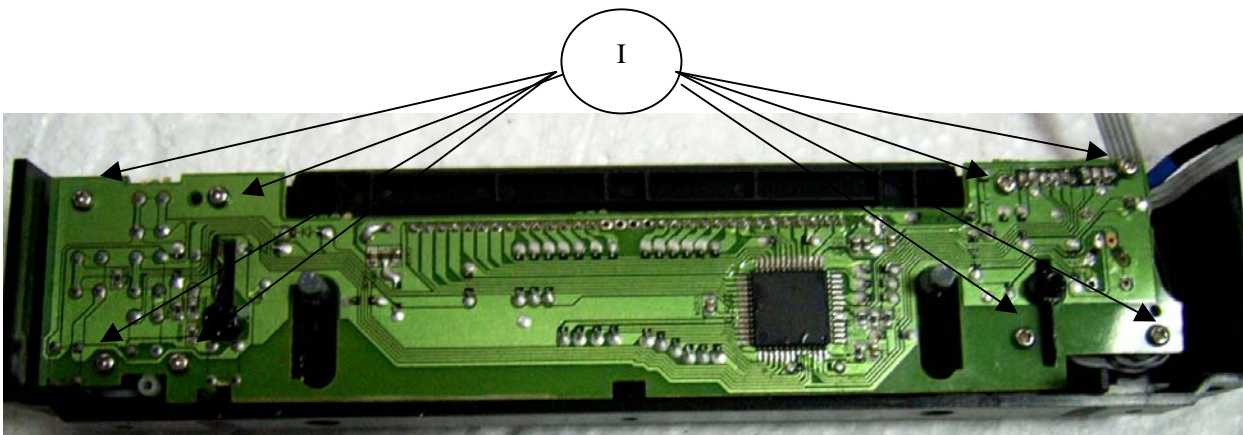


J、 Disassemble top cover

J1、 Loosen screws $2.6 \times 6\text{PT}$ (6PCS)

J2、 Loosen screws $2.6 \times 8\text{PT}$ (6PCS)

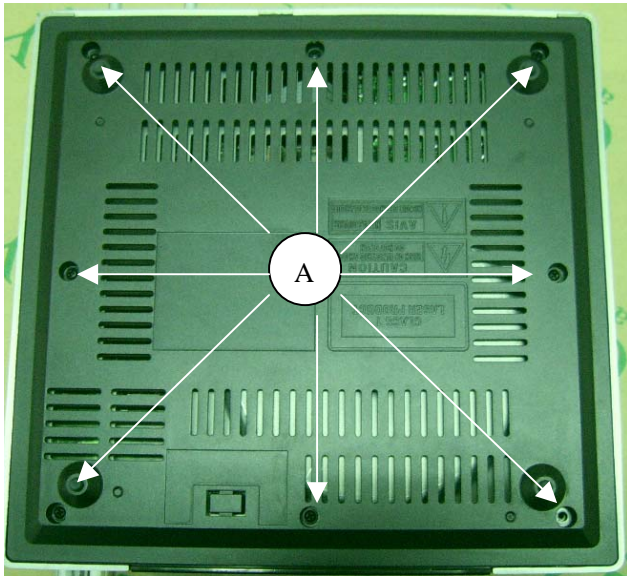
I、 Remove VFD board and screws $2.6 \times 8\text{PT}$ (8PCS)



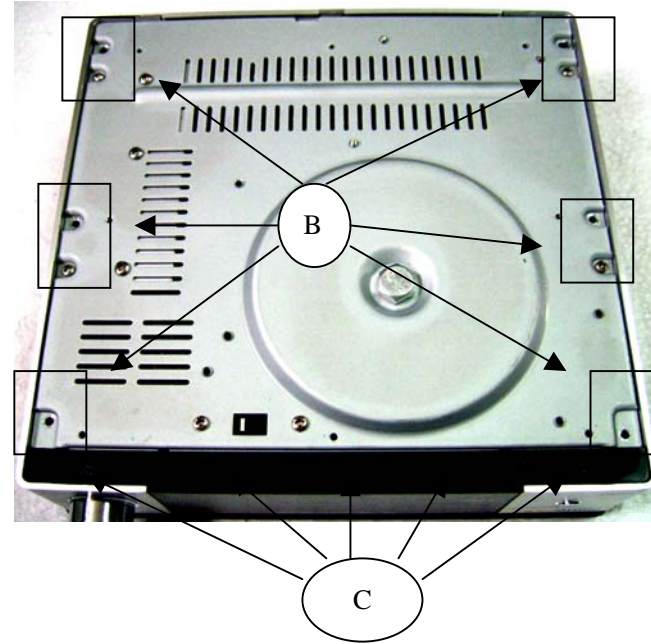
Disassembly diagram

AMP part

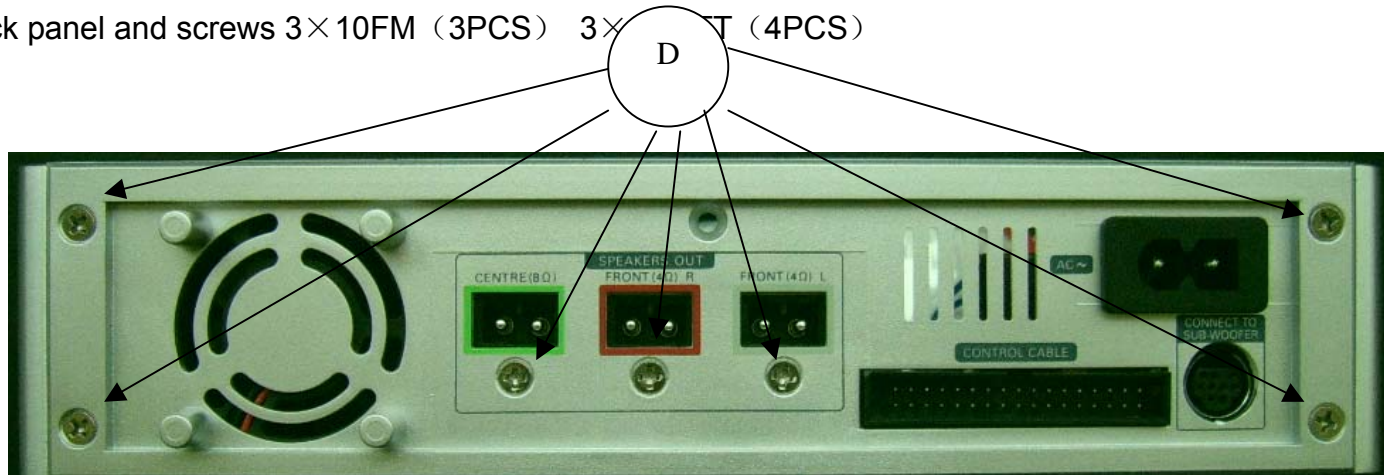
A、Remove bottom cover and screws 2.6×5PWMTT (8PCS)



B、Loosen screws 3×10PTH (6PCS) 3×6BTH (4PCS)
C、Loosen 3×6FMTT (5PCS)



D、Remove back panel and screws 3×10FM (3PCS) 3×10PTH (4PCS)

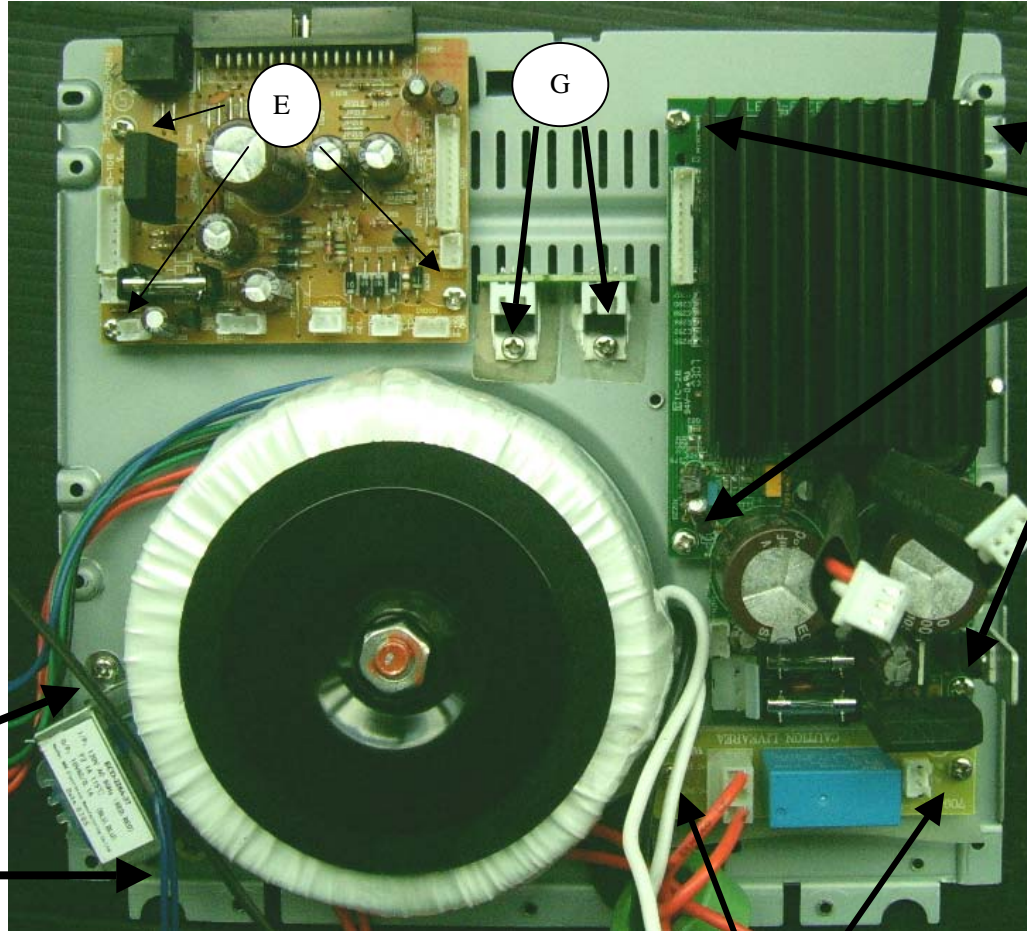


Disassembly diagram

E、Remove Power board and screws $3 \times 5\text{BM}$ (3PCS)

F、Remove AMP board and screws $3 \times 5\text{BM}$ (4PCS)

G、Remove IC and screws $3 \times 6\text{BMTT}$ (2PCS)

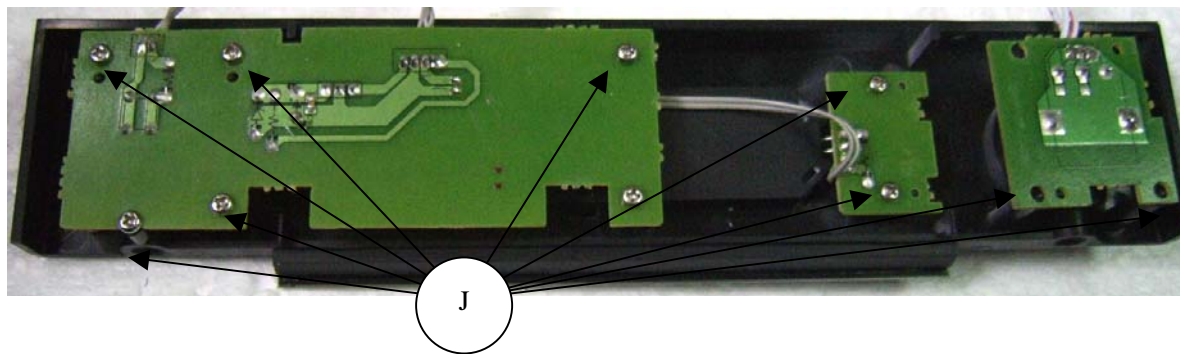


H、Remove the small transformer and loosen screws $3 \times 5\text{BMTT}$ (2PCS)

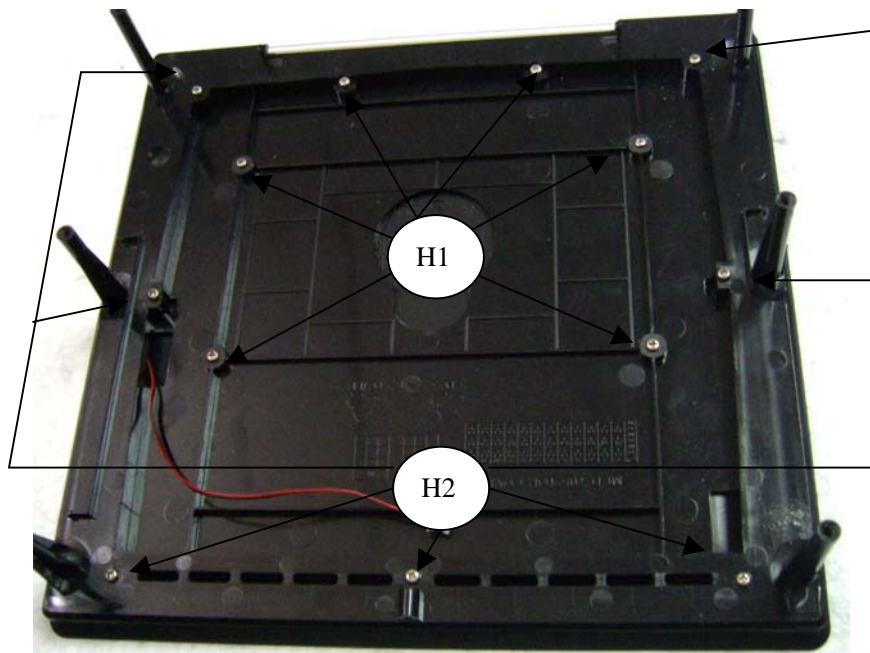
I、Remove ECO power board and loosen screws $3 \times 12\text{BMTT}$ (2PCS)

Disassembly diagram

J、 Remove AMP front board assy and screws $2.6 \times 8PT$ (10PCS)



H、 Disassemble top cover

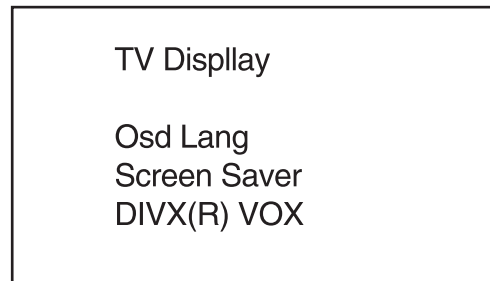


H1、 $2.6 \times 6PT$
H2: $2.6 \times 8PT$

SOFTWARE VERSION CHECK AND UPGRADING**A.MPEG SOFTWARE VERSION CHECK**

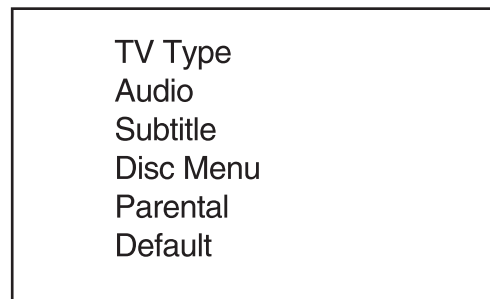
1.Press SYSTEM key (on the remote control) to open setup page,

TV Screen shows:



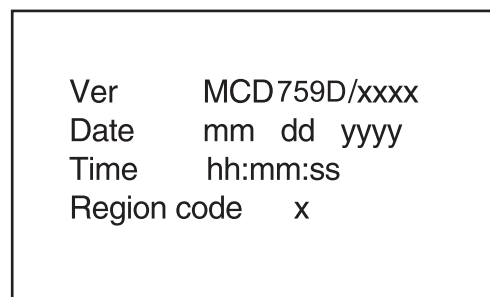
2.Press REMOVAL key (on the remote control) to the original setup page,

TV Screen shows:



3.Enter the password "811502" (on the remote control)

TV Screen shows:

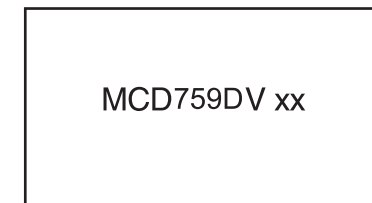


4.Press ▲ or ▼ button (on the remote control) to change region.
Press OK to confirm.

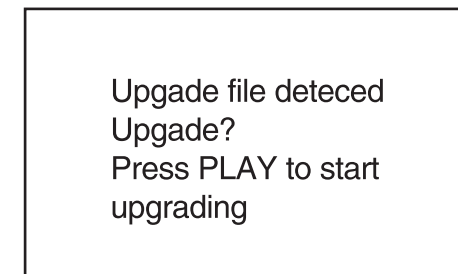
B.CPU VERSION CHECK

Keep PLAY/PAUSE and STOP buttons (on the set) depressed while pressing POWER on.

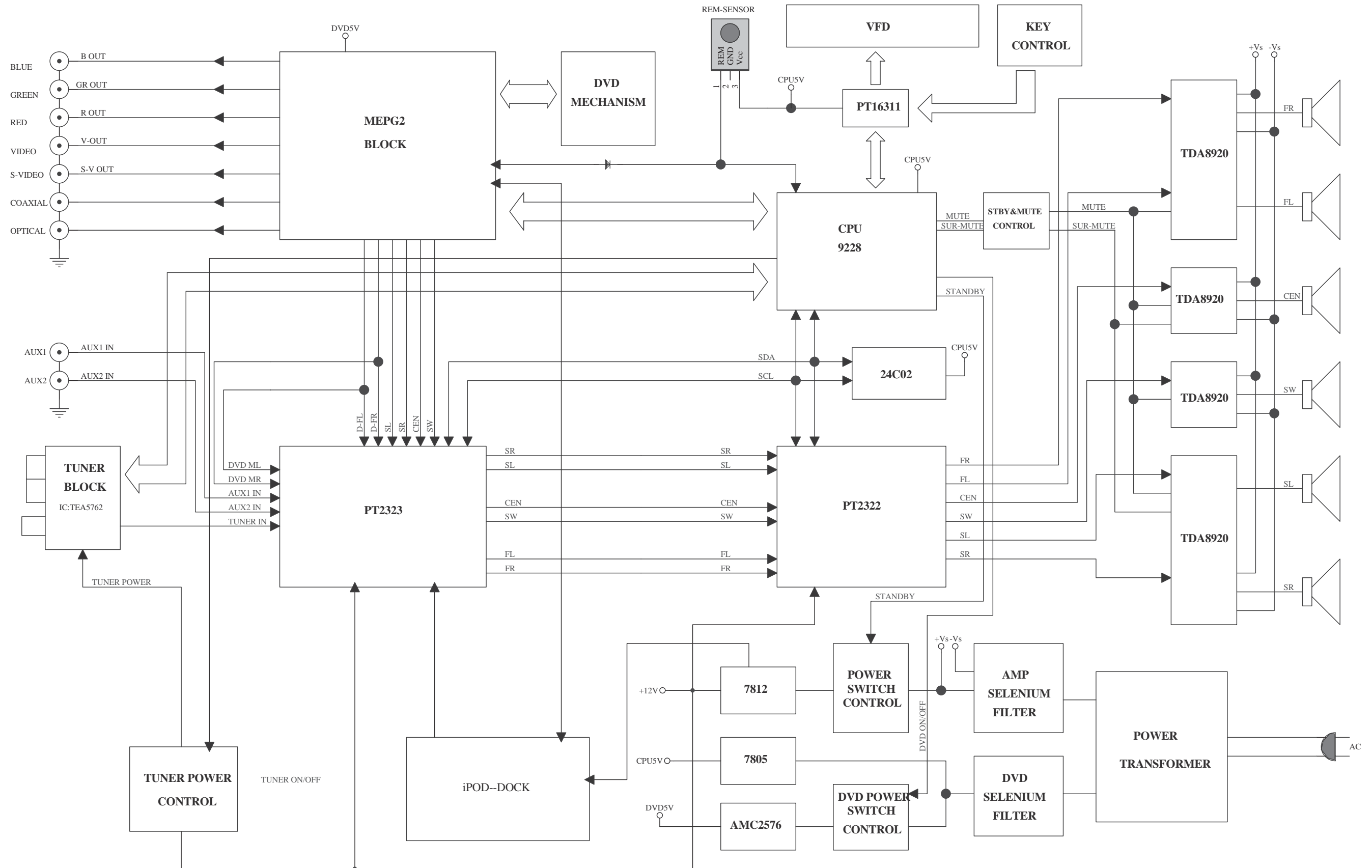
TV screen shows

**C. MPEG SOFTWARE UPGRADING**

1. download the firmware from Philips support website
<http://www.philips.com/support>
2. Prepare a uploading CD
3. Put the CD in the CD tray
4. TV Screen shows

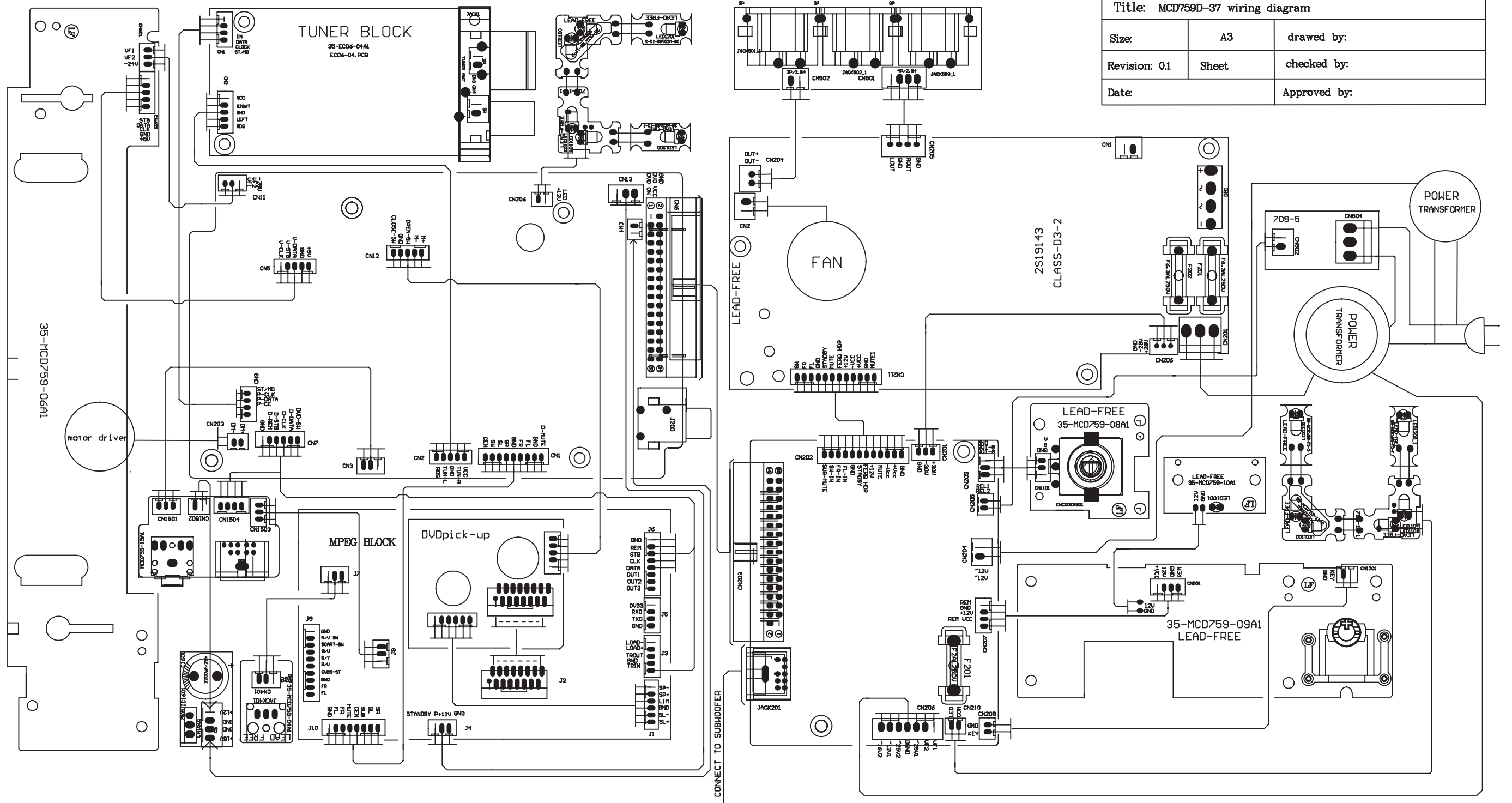


SET BLOCK DIAGRAM

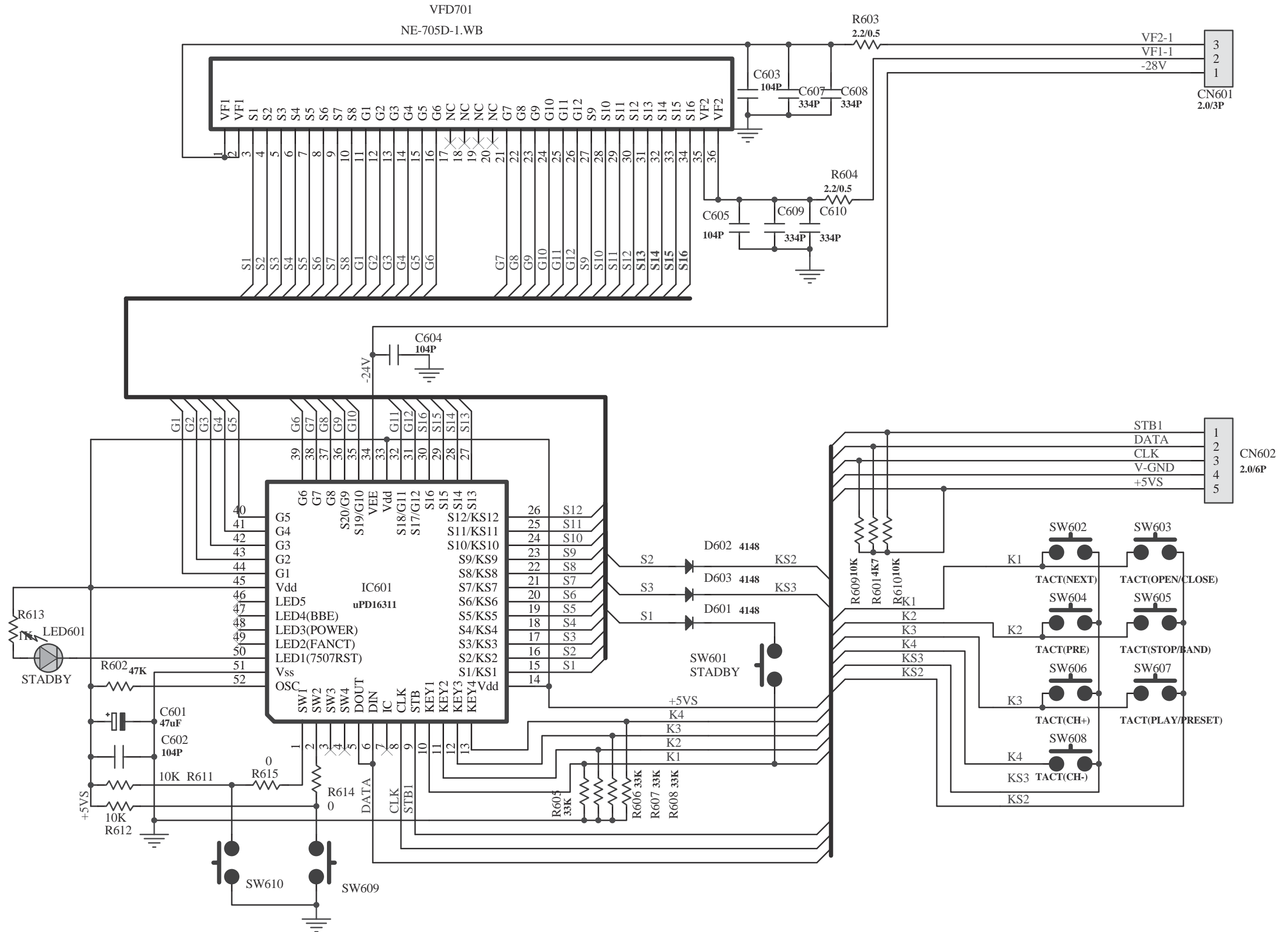


SET WIRING DIAGRAM

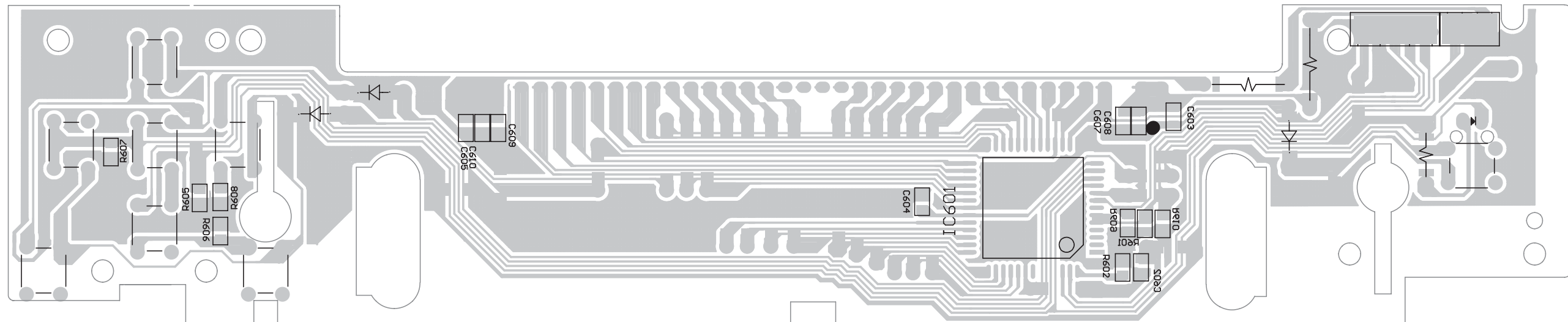
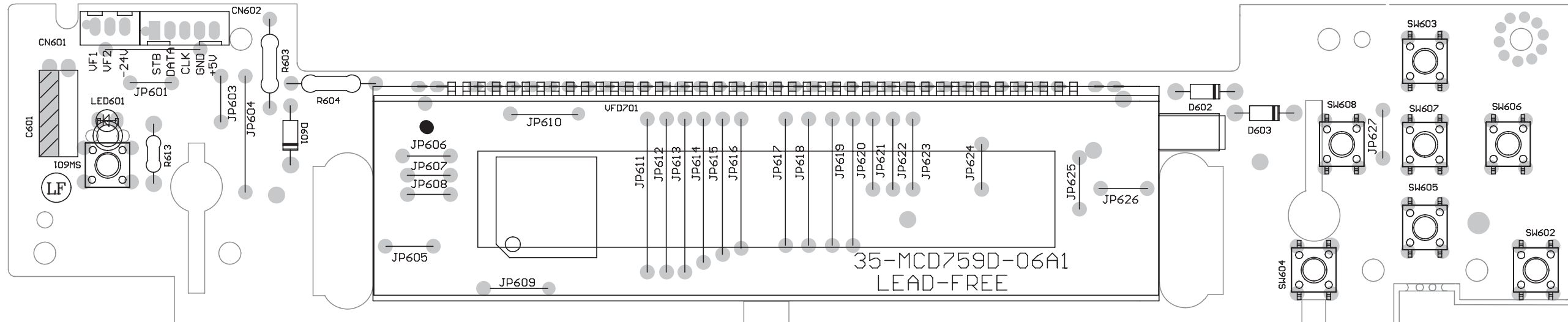
Title: MCD759D-37 wiring diagram		
Size:	A3	drawn by:
Revision: 0.1	Sheet	checked by:
Date:		Approved by:



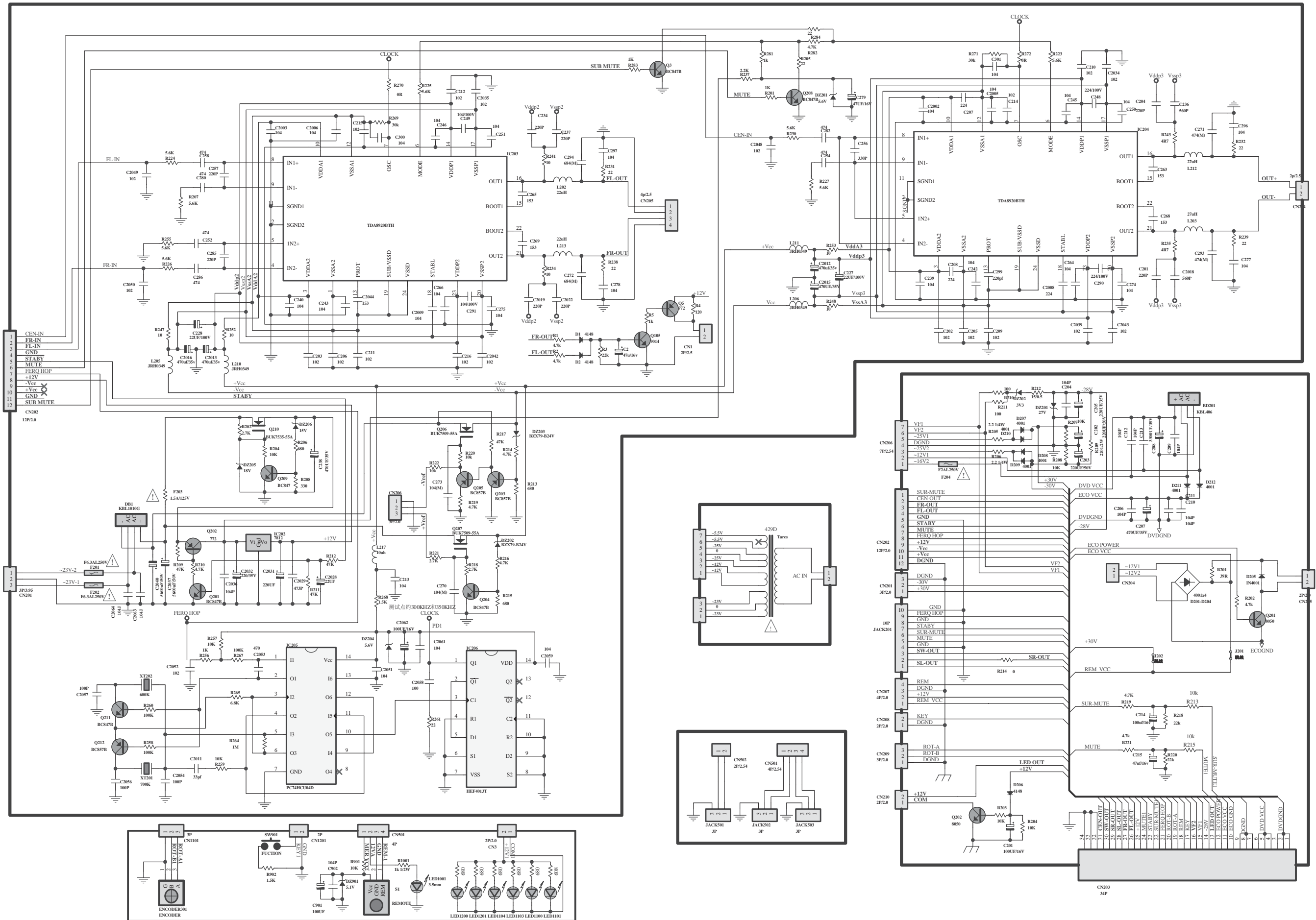
CIRCUIT DIAGRAM - VFD BOARD



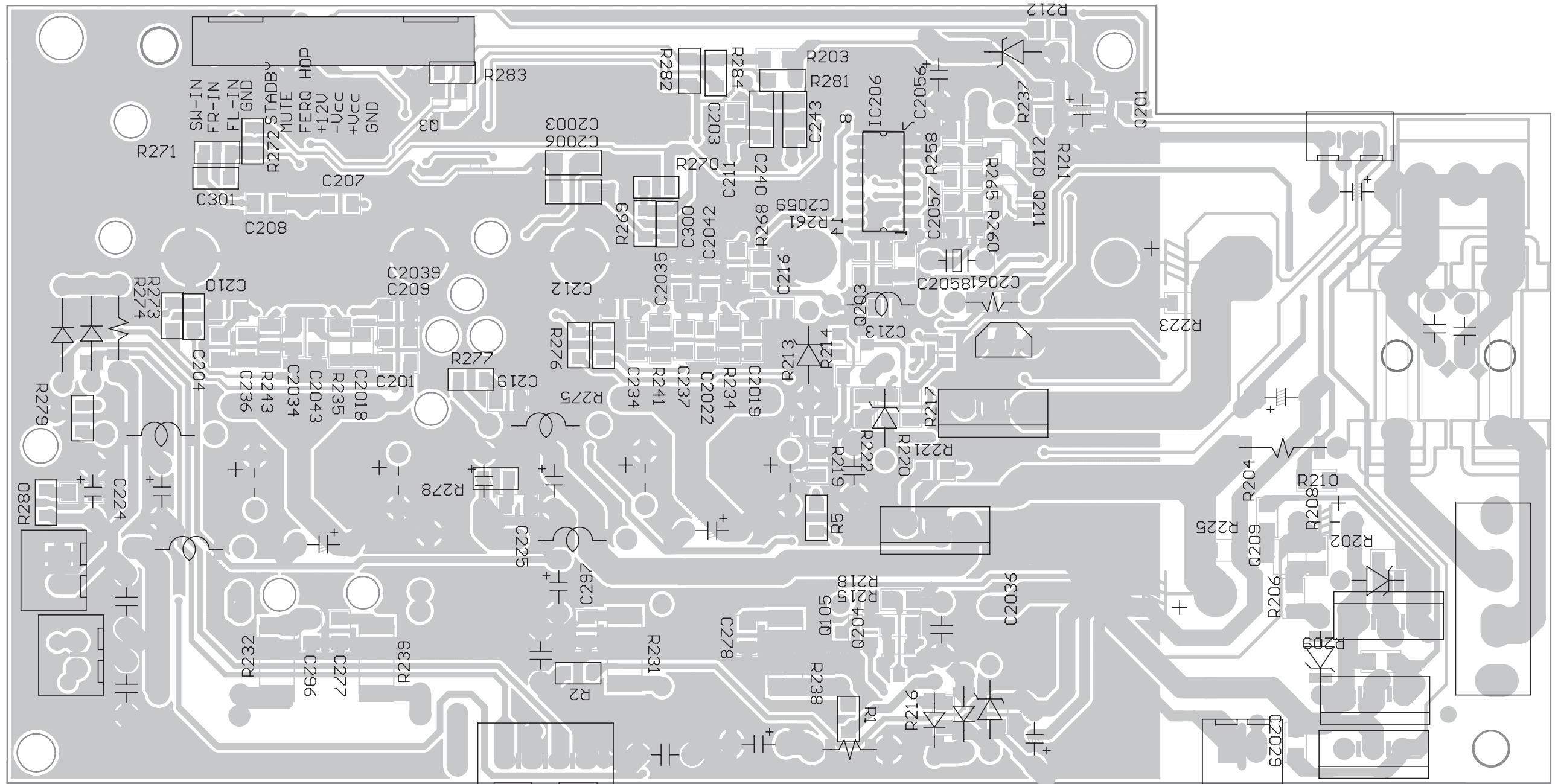
LAYOUT DIAGRAM - VFD BOARD



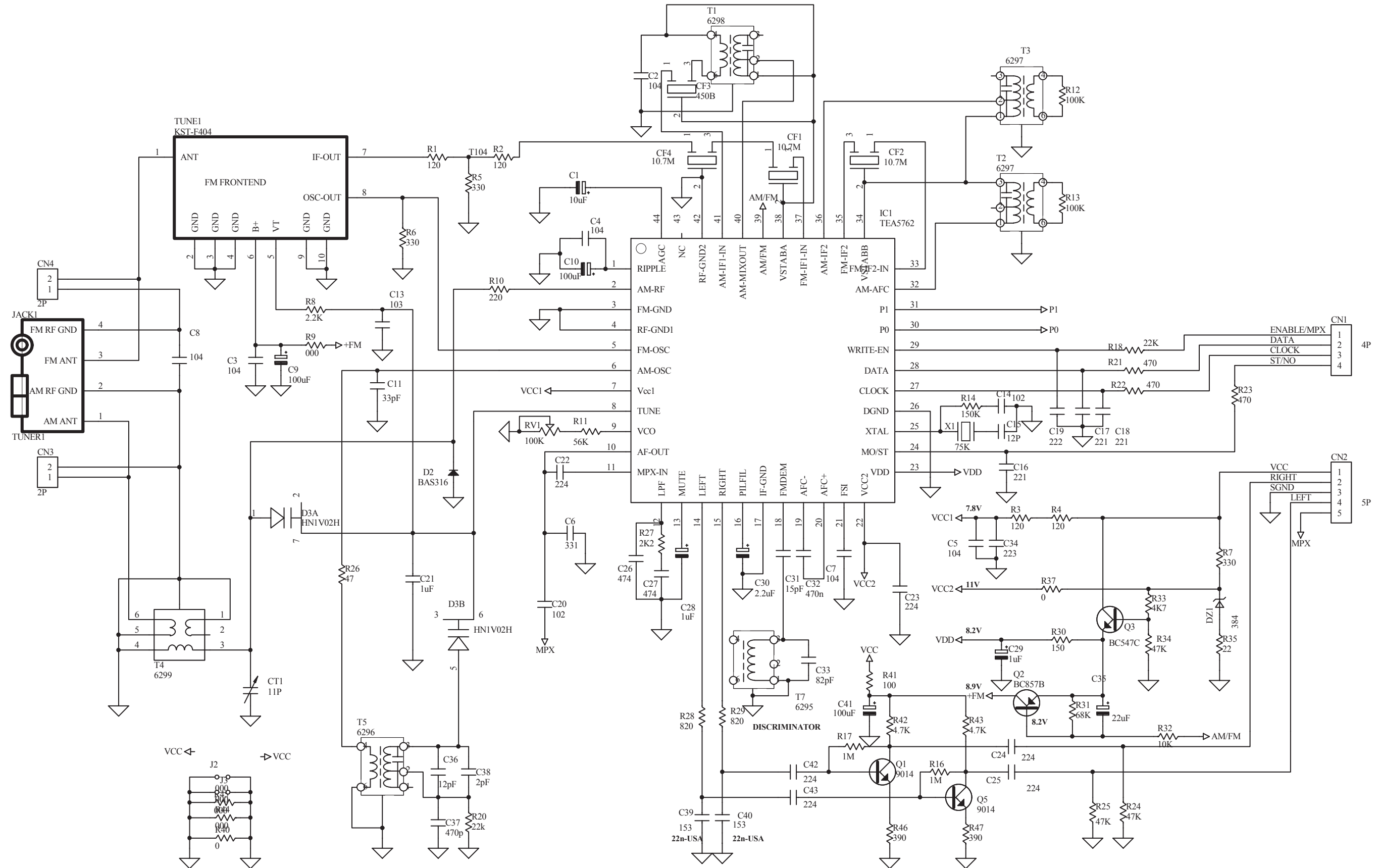
CIRCUIT DIAGRAM - AMP BOARD



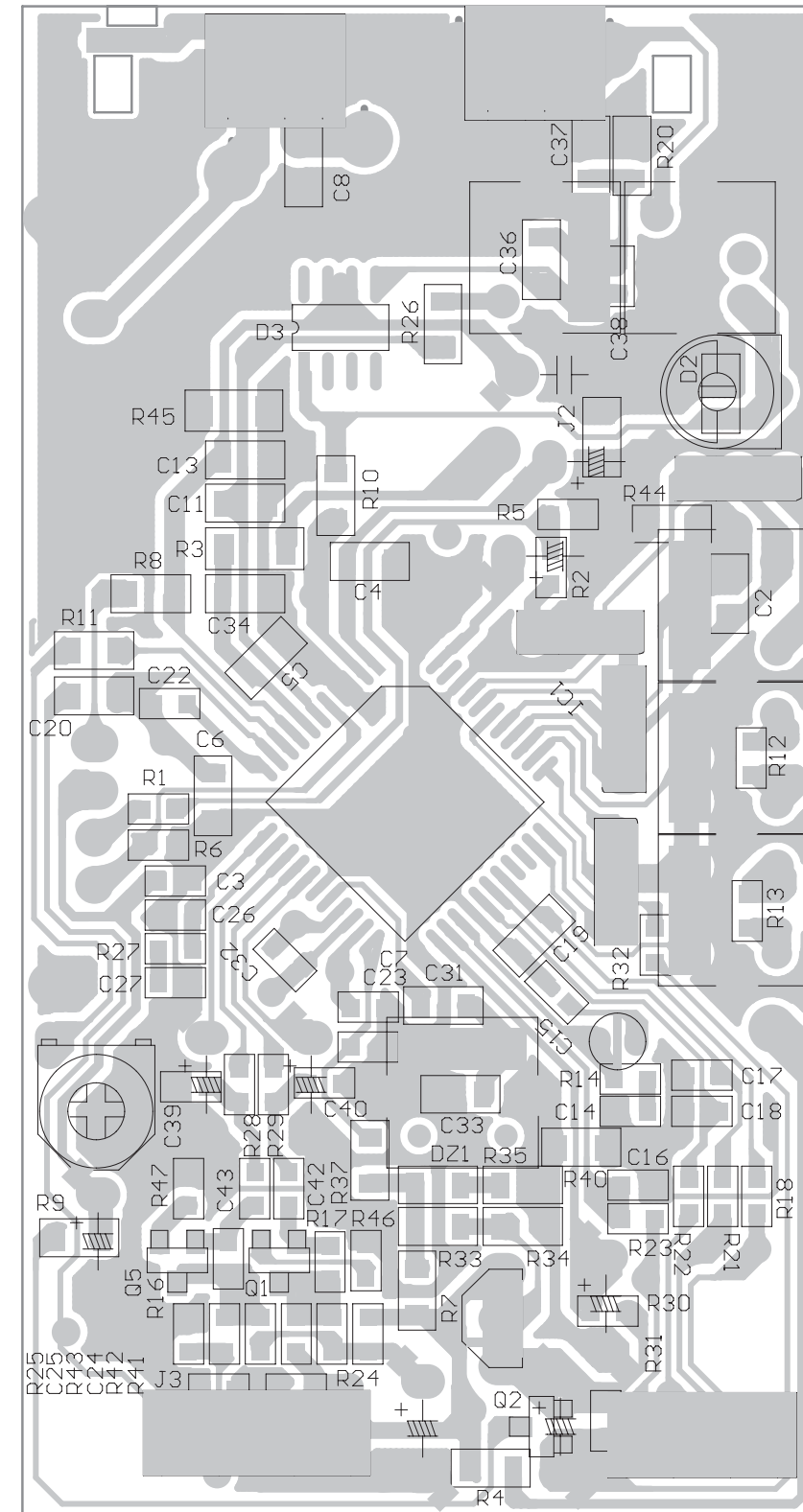
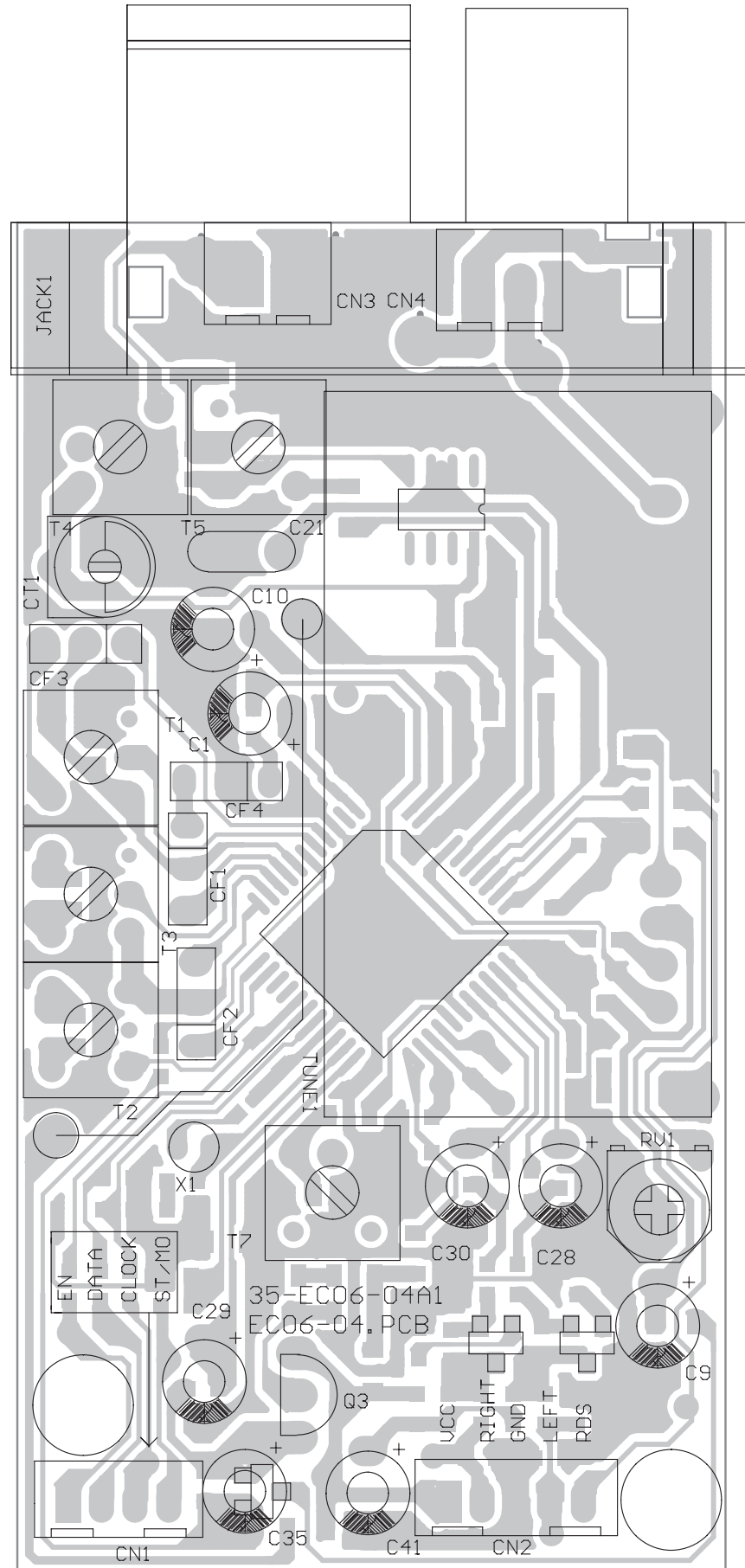
LAYOUT DIAGRAM - AMP BOARD



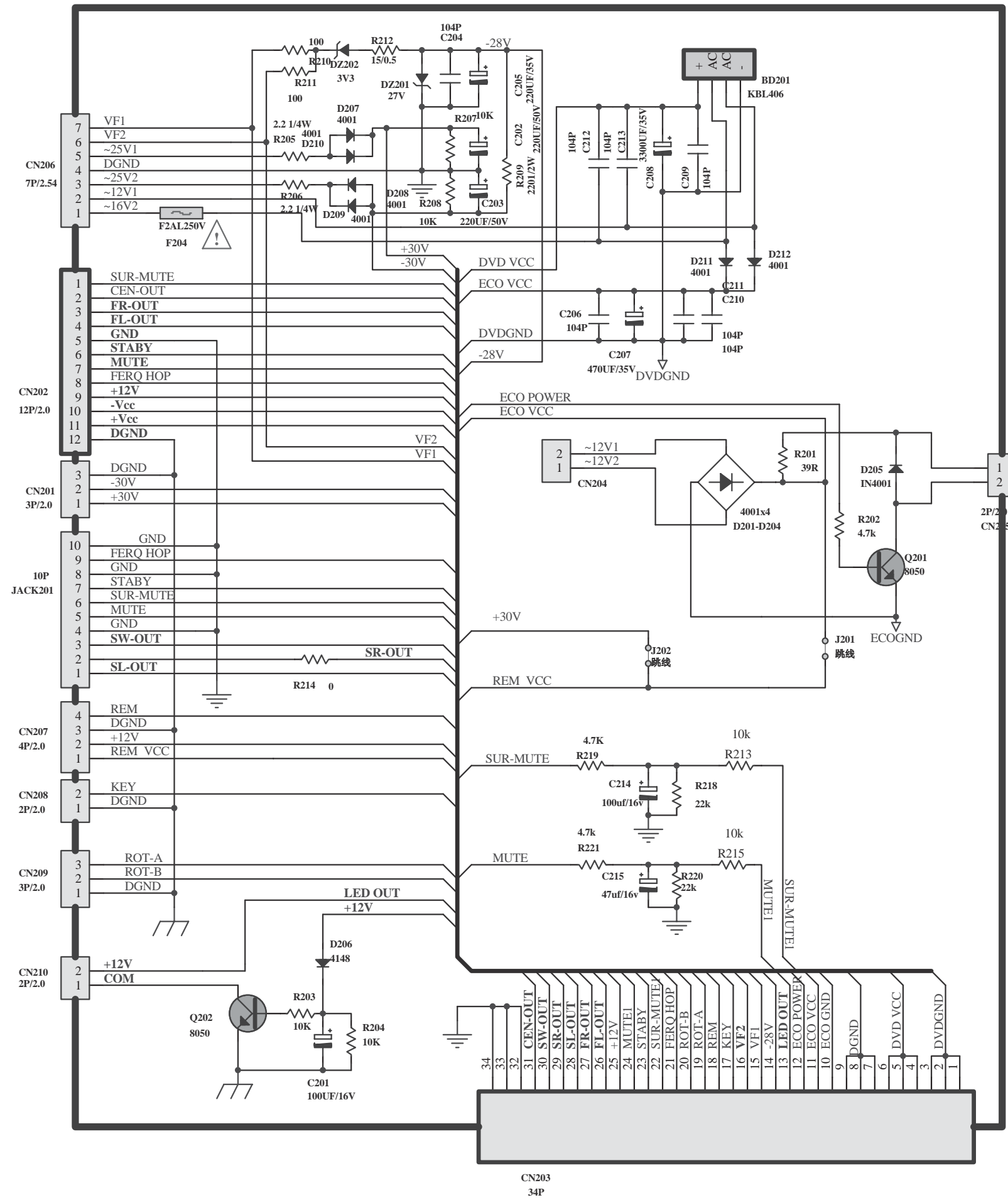
CIRCUIT DIAGRAM - TUENR BOARD



LAYOUT DIAGRAM - TUENR BOARD

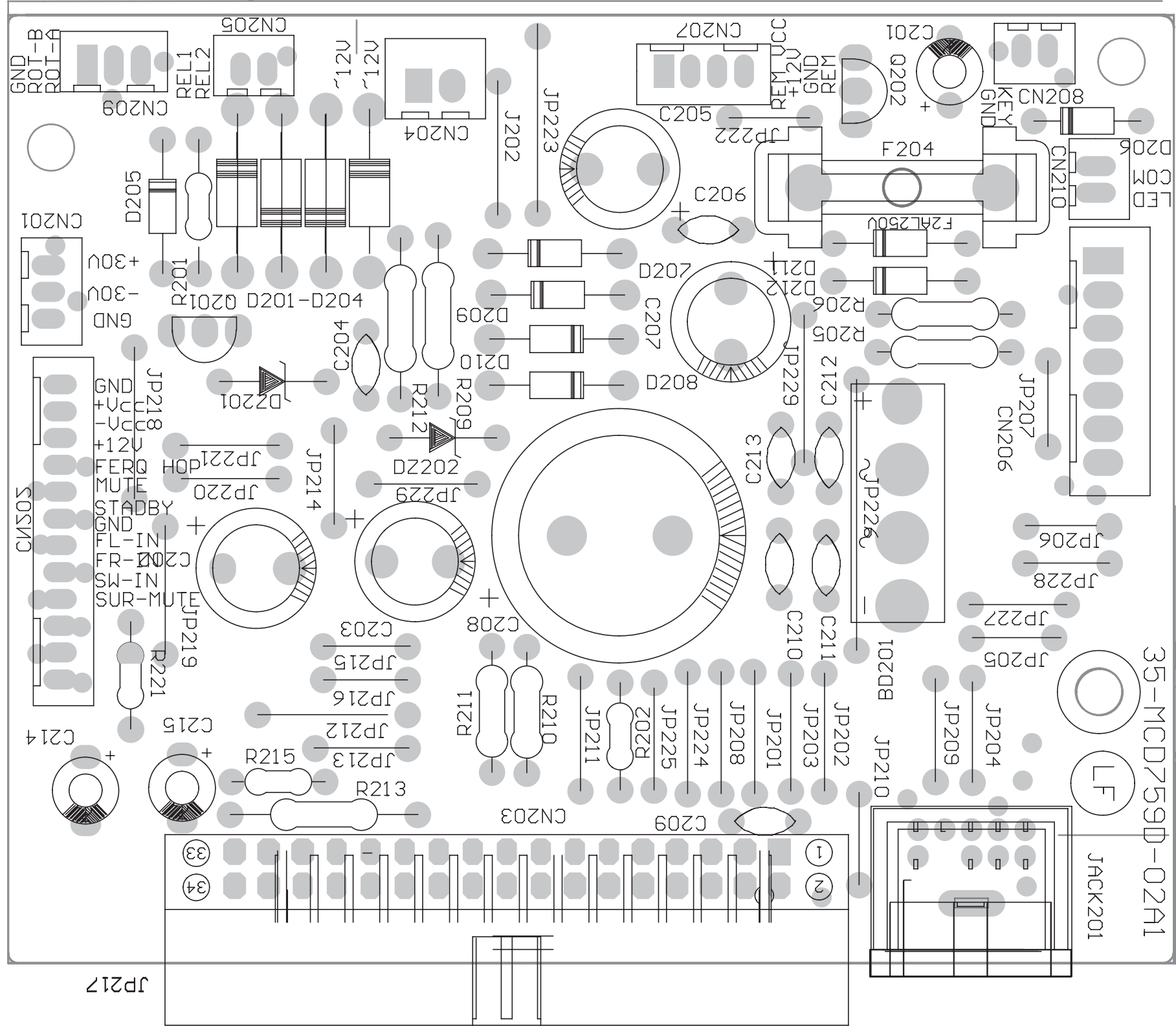


CIRCUIT DIAGRAM - POWER BOARD

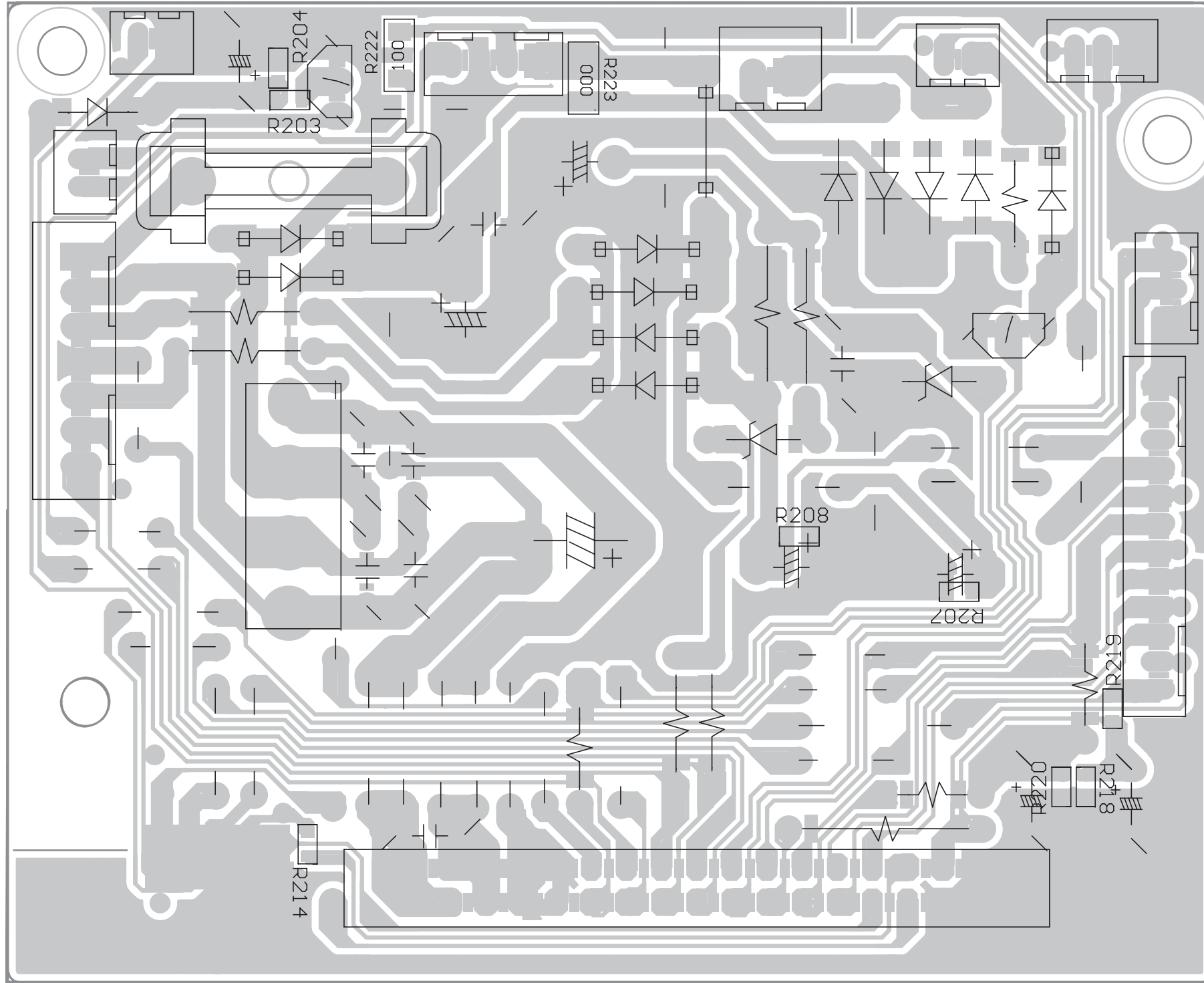


CN203 34P

LAYOUT DIAGRAM - POWER BOARD

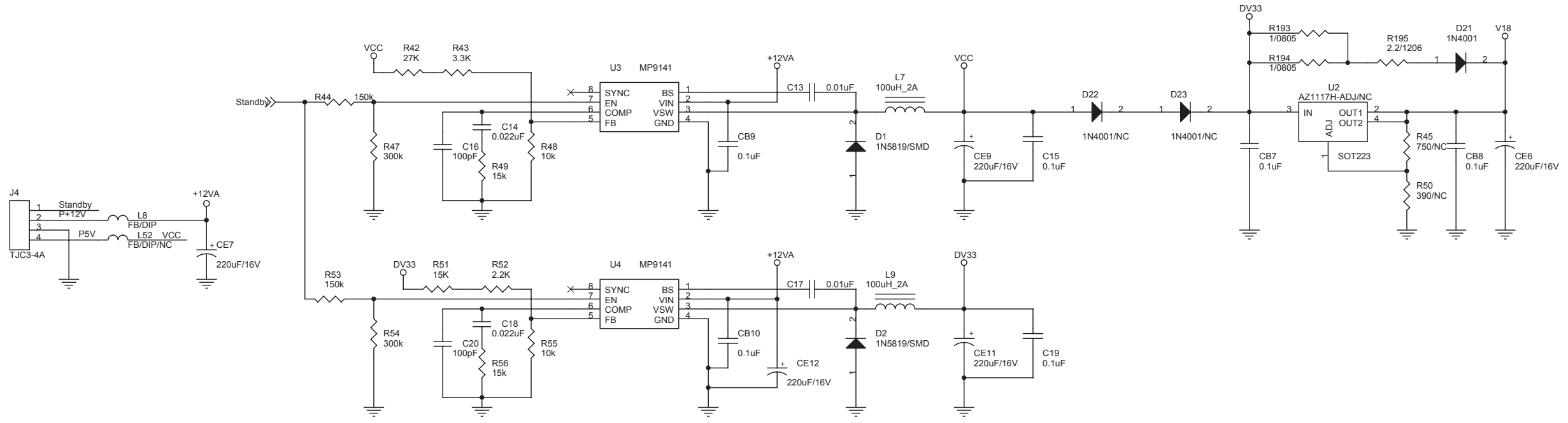
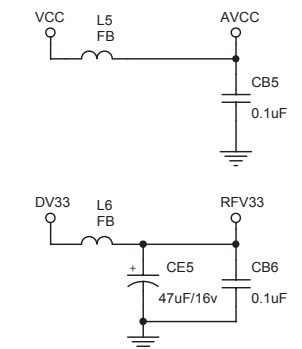
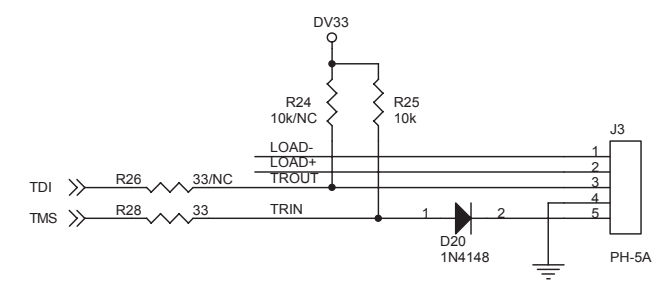
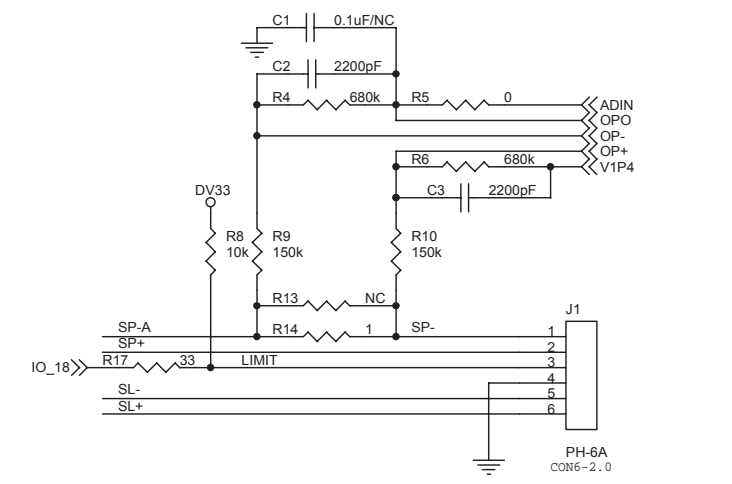
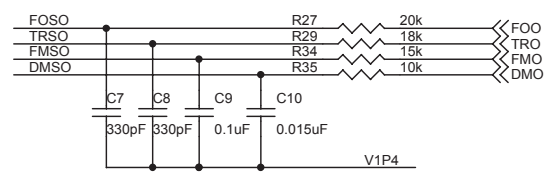
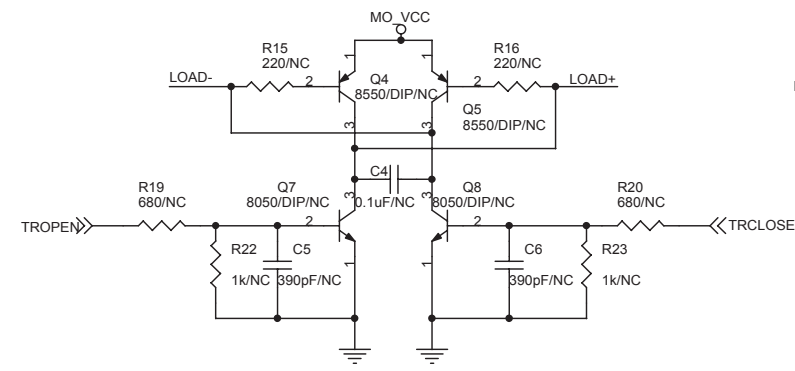
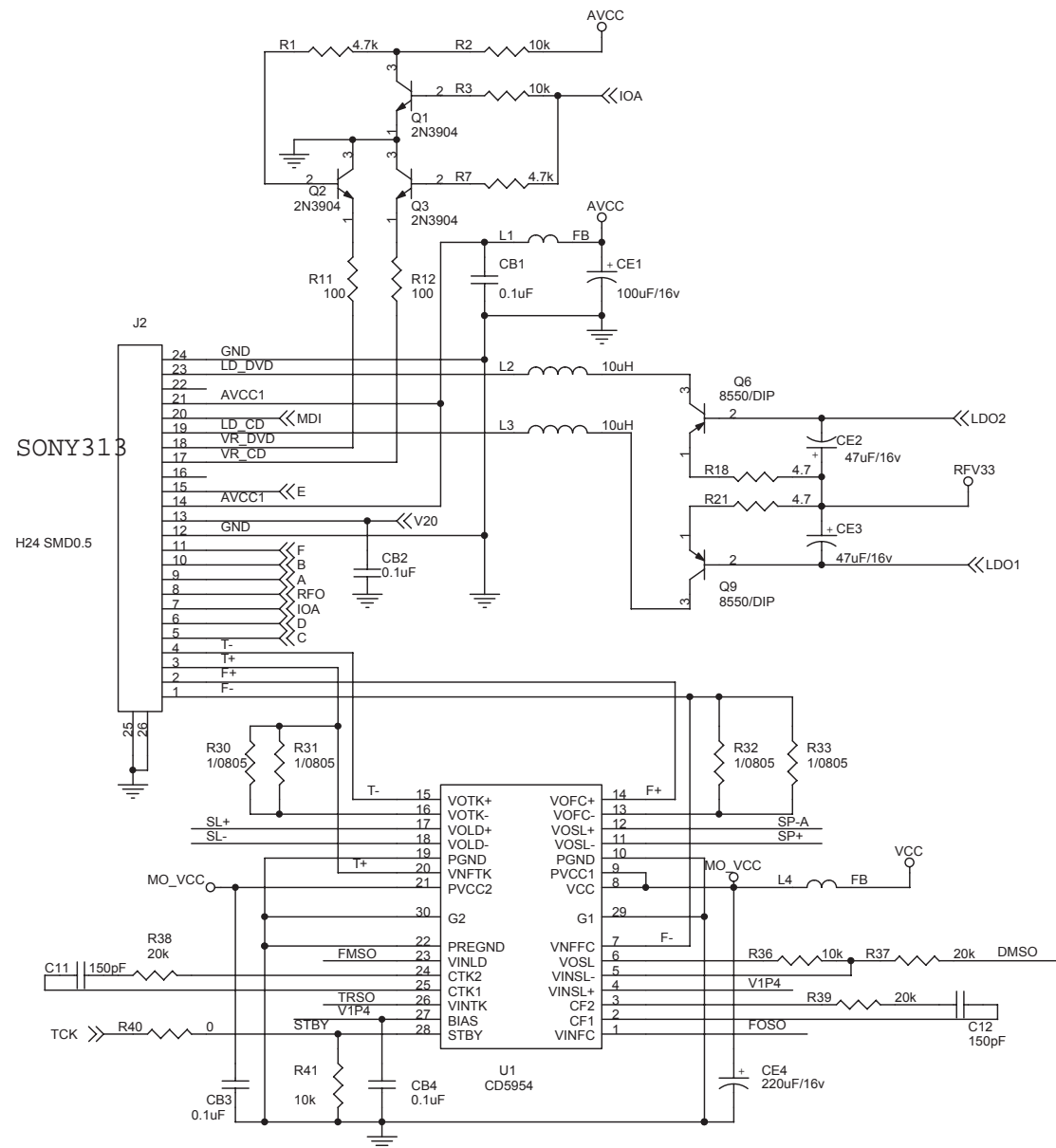


LAYOUT DIAGRAM - POWER BOARD

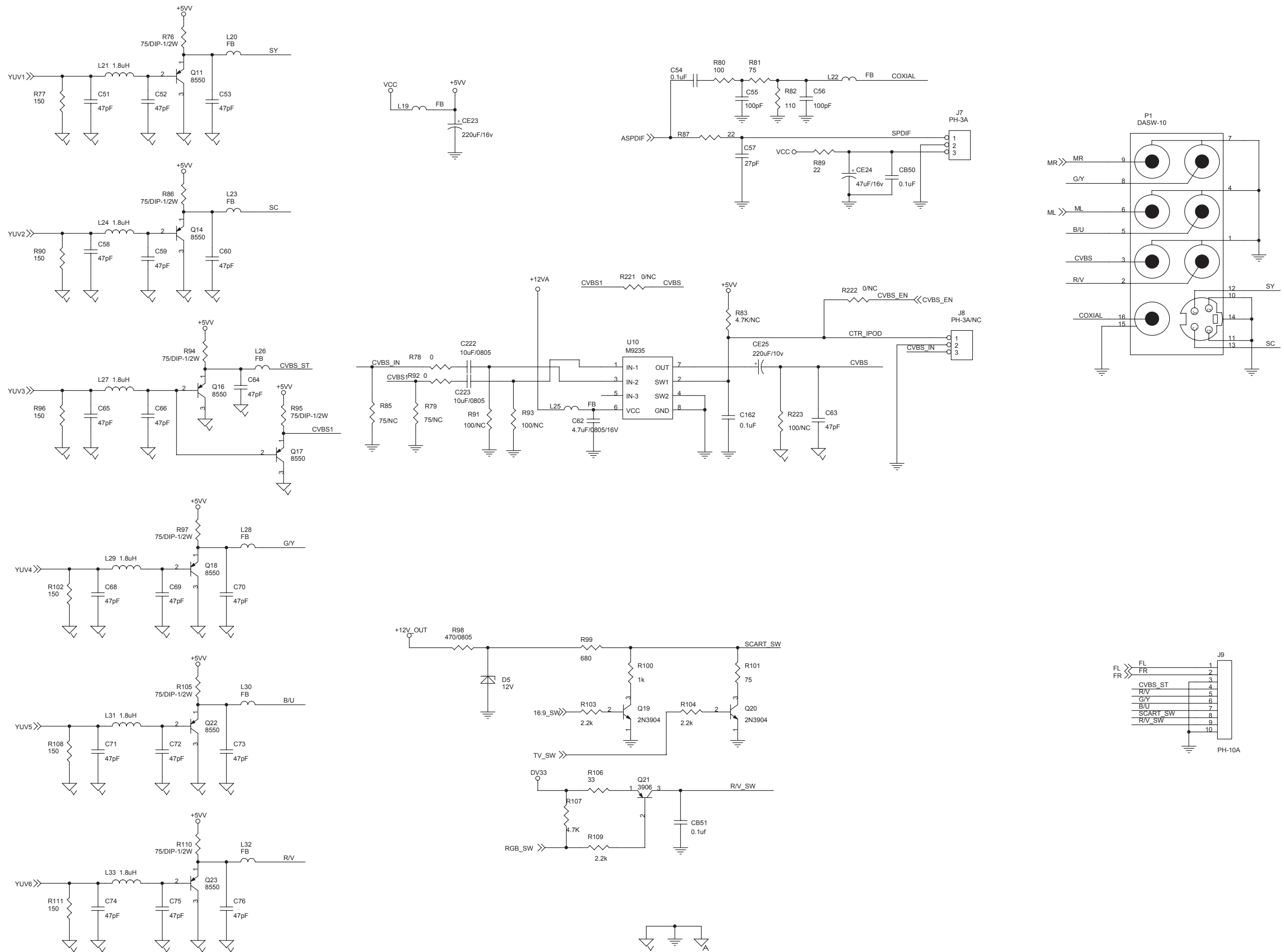


CIRCUIT DIAGRAM - DVD MPEG BOARD

MPEG is not repaired, diagram for reference only.

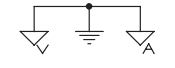
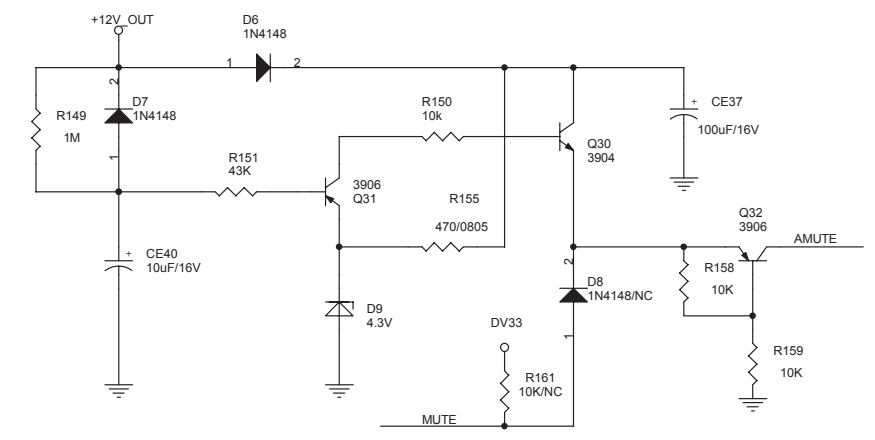
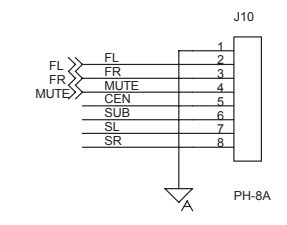
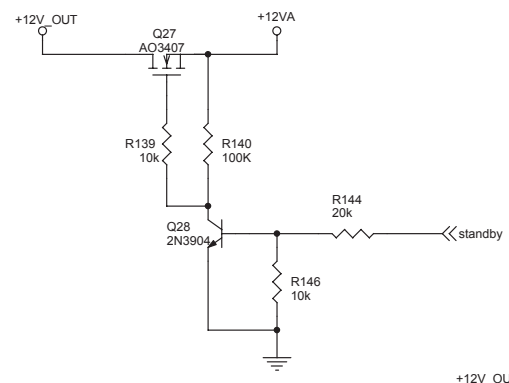
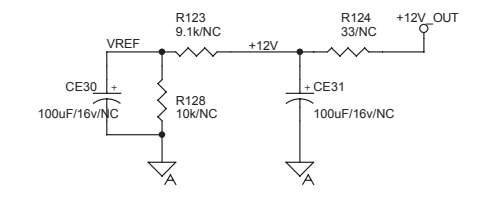
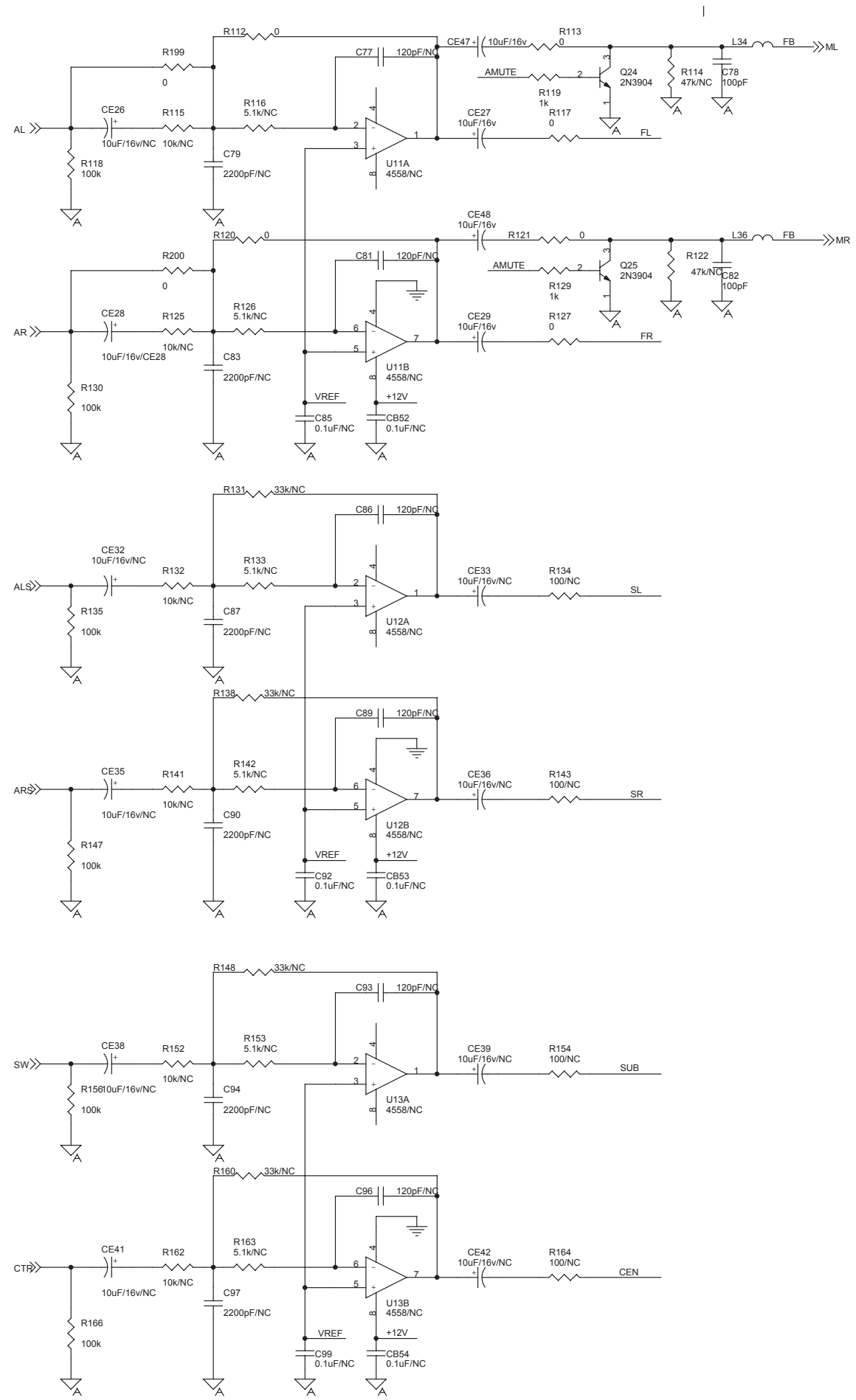


CIRCUIT DIAGRAM - DVD MPEG BOARD
 MPEG is not repaired, diagram for reference only.

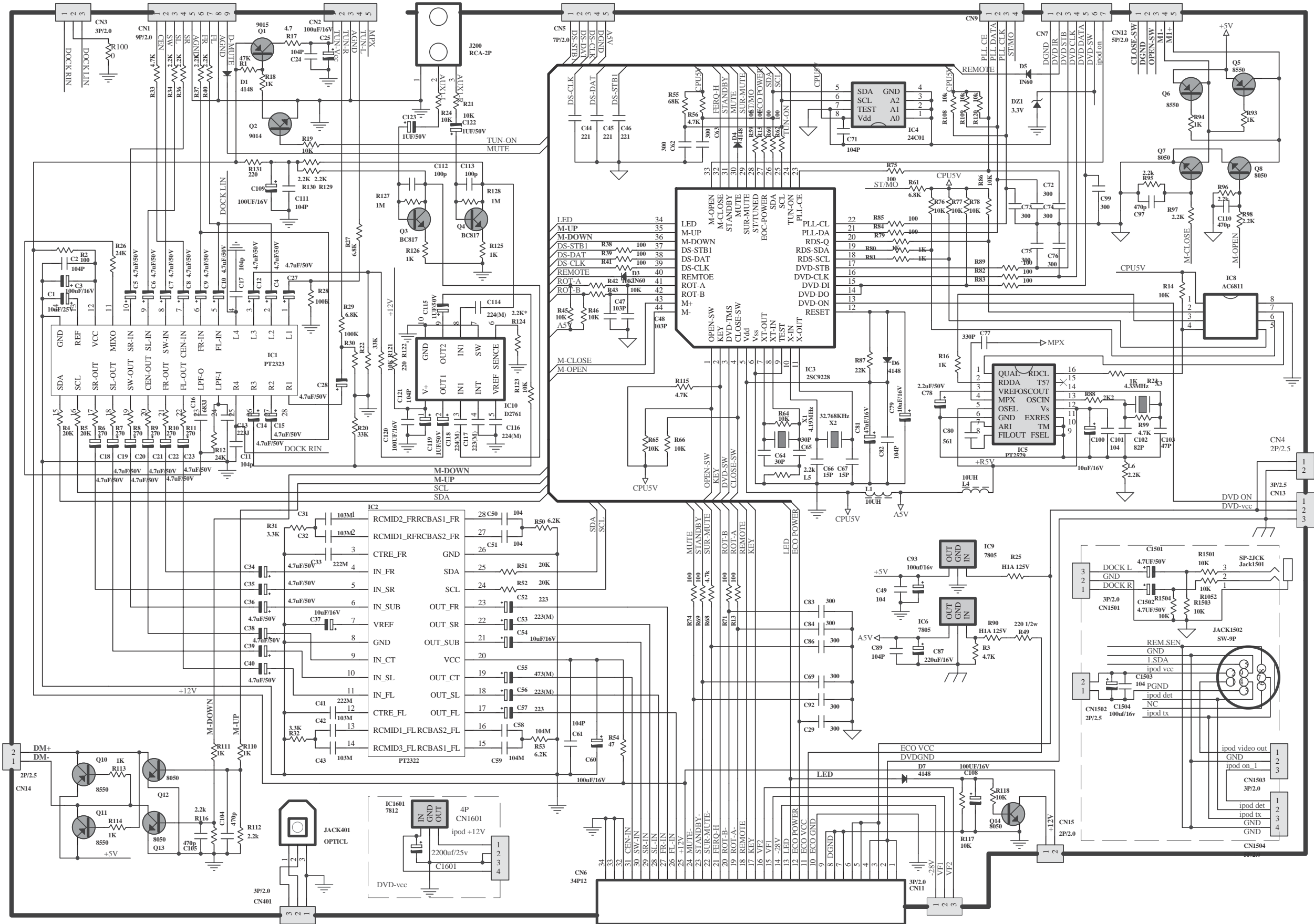


CIRCUIT DIAGRAM - DVD MPEG BOARD

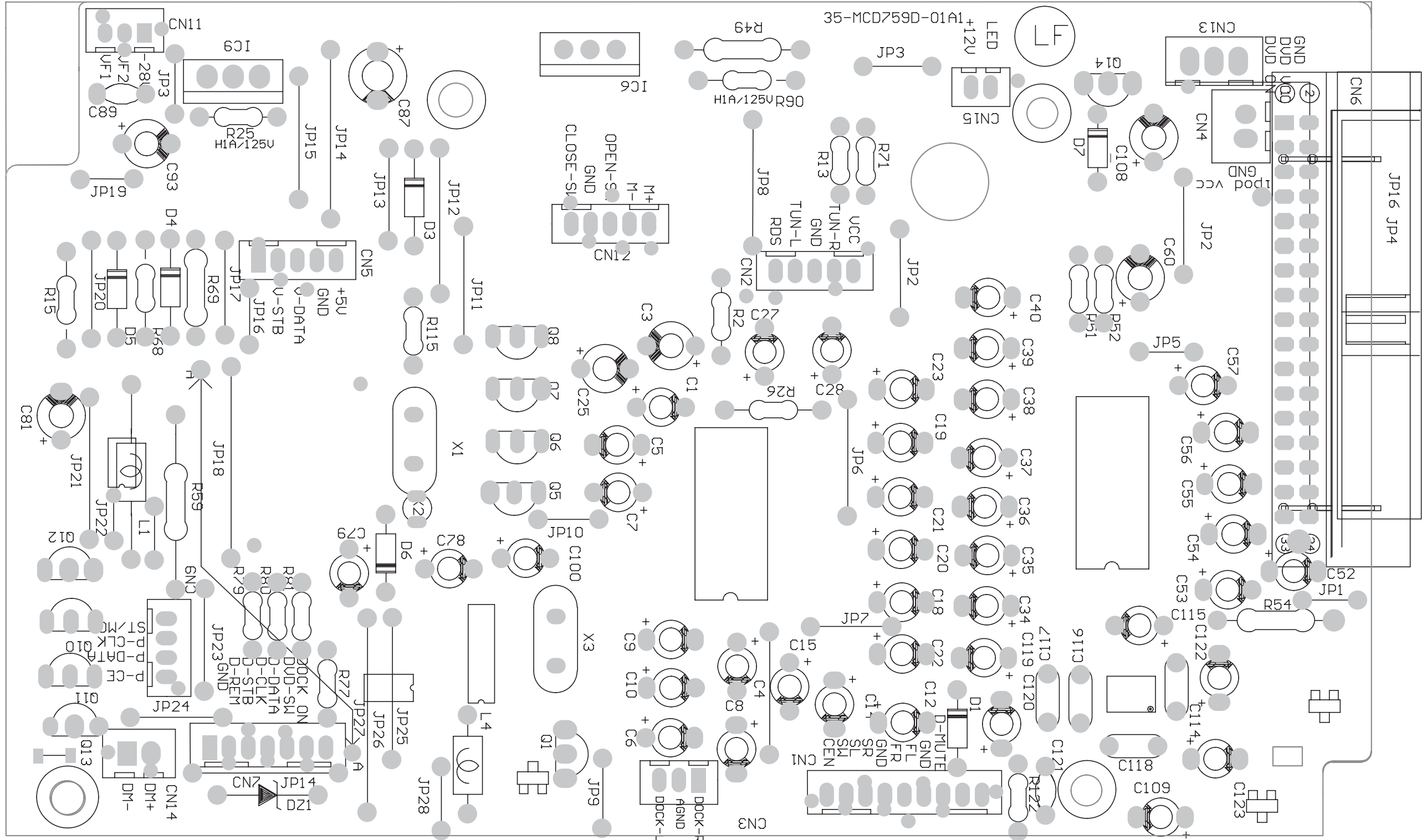
MPEG is not repaired, diagram for reference



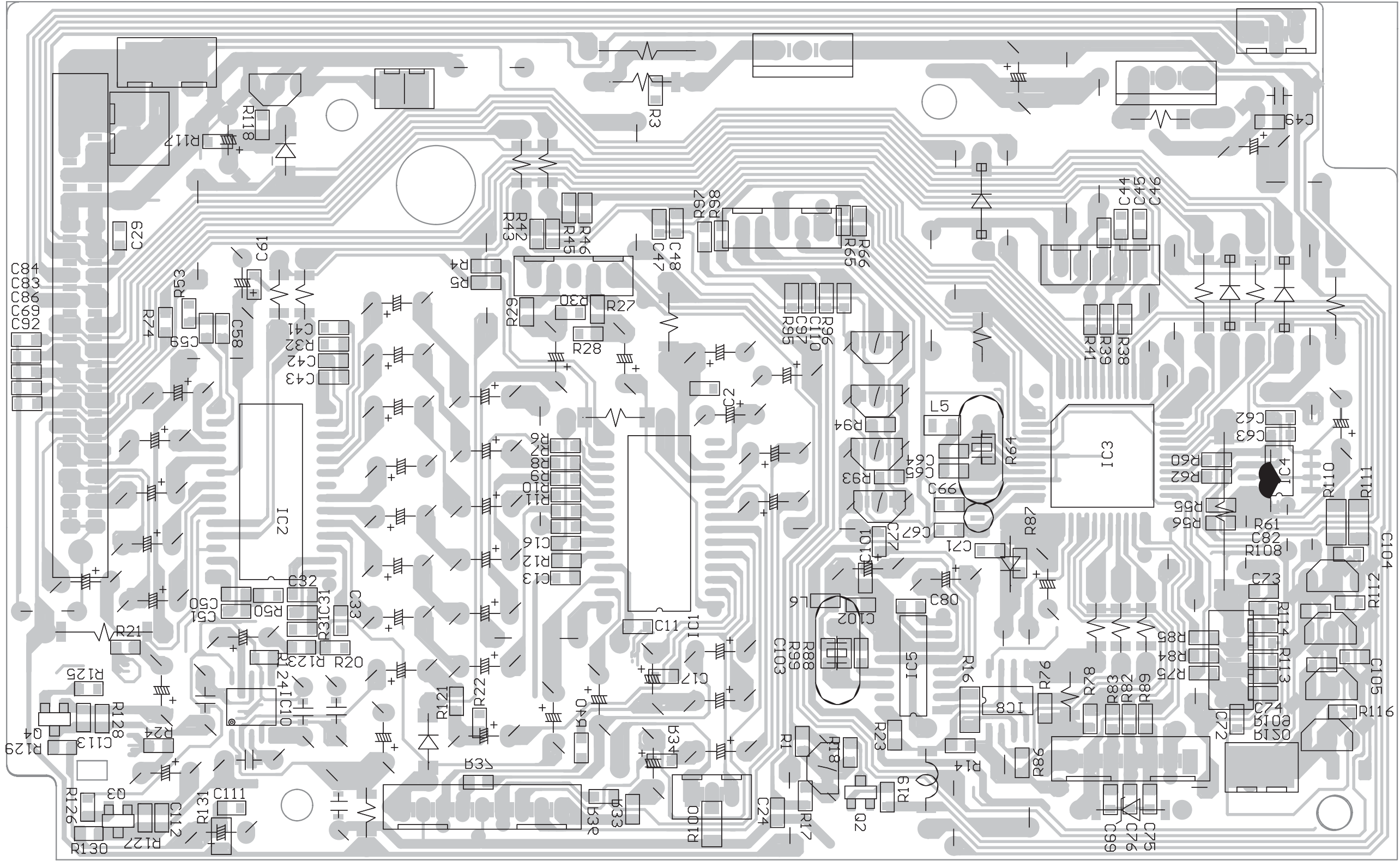
CIRCUIT DIAGRAM - CPU BOARD



LAYOUT DIAGRAM - CPU BOARD



LAYOUT DIAGRAM - CPU BOARD



ACCESSORIES

10	996510006311	REMOTE CONTROL PRC501-14
11	996500041617	PLEXIG. BKT ASS'Y PH MCD705
12	996500041615	ANTENNA HOLDER ASS'Y AM
120	996510006322	MAIN SPEAKER BOX ASSY (R)
13	996510006312	iPod SOCKET PHILIPS SET
14	996510006313	SPEAKER CORDS 5M
15	996500041018	FM ANTENNA WIRE 1.5m
16	996510006314	CONTROL CABLE 2.5/34PX2 BALCK
17	994000004888	AC LINE CORD 1.8M UL
18	996510000214	SUBWOOFER SPEAKER WIRE 9P 3M
19	996510006315	SPEAKER CORDS 15M
191	996510006316	SPEAKER CORDS 15M
192	996510000216	SPEAKER CORDS 8M
193	996510000217	SPEAKER CORDS 15M
194	996510000218	VIDEO CABLE 1.5m 3P RD WHI YEL
195	996510006317	WOOFER SPEAKER BOX ASSY
196	996510006318	ENCIRCIE SPEAKER BOX(L) ASSY
197	996510006319	ENCIRCIE SPEAKER BOX(R) ASSY
198	996510006320	CENTER SPEAKER BOX ASSY
199	996510006321	MAIN SPEAKER BOX ASSY(L)

AMP BRICK

30	996510006334	AMP LAMP PCB ASSY MCD759D
31	996510006335	ROT ENCODER PCB ASSY MCD759D
32	996510006336	AMP FRONT PCB ASSY MCD759D
33	996510000264	AMP PCB ASS'Y -2 MCD759
34	996510006339	ECO POWER PCB ASSY MCD709/37
35	996510006340	MAIN POWER PCB ASSY MCD759D
36	996510000466	SPEAKER SOCKET ASS'Y
37	996510006325	CABINET TOP LAMP PCB ASSY 11-1
38	996510006326	CABINET TOP LAMP PCB ASSY 12-1
39	996510006327	CABINET TOP LAMP PCB ASSY 11-2
391	996510006328	CABINET TOP LAMP PCB ASSY 12-2

DVD BRICK

21	996510006323	CPU PCB ASSY MCD759D/37
22	996510006324	DISPLAY PCB ASSY MCD759D
23	996510006325	CABINET TOP LAMP PCB ASSY 11-1
24	996510006326	CABINET TOP LAMP PCB ASSY 12-1
25	996510006327	CABINET TOP LAMP PCB ASSY 11-2
26	996510006328	CABINET TOP LAMP PCB ASSY 12-2
27	996510006329	DOCKING PCB ASSY MCD759
28	996510006330	DOCKING POWER PCB ASSY MCD759D
29	996510006331	TUNER BOARD PCB ASSY EC06-04
291	996510006332	OUTPUT PCB ASSY MCD759D
292	996510000454	MOTOR ASS'Y
293	996500042540	DVD DISC ASS'Y
294	996510006333	DECODER CARD ASSY MCD759D/37

Note: Only these parts mentioned in the list are normal service parts.

Part list

BOM NO.	DESCRIPTION	Q'TY	UNIT	USAGE
09-MCD759D-01A101	DVD UNIT PARTS ASS'Y MCD759D/37	1	SET	
07-MCD759D-01A101	CPU PCB ASS'Y MCD759D/37	1	SET	
13000695	CHIP RESISTOR 4.7 1/16W J(0603)	1	PCS	R17
13000641	CHIP RESISTOR 100 1/16W J(0603)	9	PCS	R38,39,41,60,62,75,84,85,74
13000680	CHIP RESISTOR 270 1/16W J(0603)	6	PCS	R6-11
13000790	CHIP RESISTOR 15K 1/16W J (0603)	2	PCS	R21,24
13000661	CHIP RESISTOR 1K 1/16W J(0603)	8	PCS	R114,113,18,23,93,94,125,126
13000219	CARBON FILM RESISTOR 120 1/8W J-52	1	PCS	R54
13000068	CHIP RESISTOR 1K 1/4W J (1206)	2	PCS	R111,110
13000667	CHIP RESISTOR 2.2K 1/16W J(0603)	6	PCS	R34,R36,R37,R40,R129,130
13000667	CHIP RESISTOR 2.2K 1/16W J(0603)	6	PCS	R95-98,112,116
13000683	CHIP RESISTOR 3.3K 1/16W J(0603)	2	PCS	R31,32
13000697	CHIP RESISTOR 4.7K 1/16W J(0603)	4	PCS	R3,56,61,33
13000887	CHIP RESISTOR 6.2K 1/16W J (0603)	2	PCS	R50,53
13000646	CHIP RESISTOR 10K 1/16W J(0603)	12	PCS	R19,42,43,45,46,64,65,66,R109,117,118,78
13000670	CHIP RESISTOR 20K 1/16W J(0603)	2	PCS	R4,5
13000675	CHIP RESISTOR 22K 1/16W J(0603)	1	PCS	R87
13000679	CHIP RESISTOR 24K 1/16W J(0603)	1	PCS	R12
13000125	CHIP RESISTOR 47K 1/16W J (0603)	1	PCS	R1
13000791	CHIP RESISTOR 68K 1/16W J (0603)	1	PCS	R55
13000645	CHIP RESISTOR 100K 1/16W J(0603)	2	PCS	R28,30
13000178	CARBON FILM RESISTOR 100 1/8W J-52	6	PCS	R13,15,59,69,71,JP13
13000180	CARBON FILM RESISTOR 100 1/4W J-52	1	PCS	JP2
13000401	CARBON FILM RESISTOR 4.7K 1/8W J-52	2	PCS	R68,115
13000889	CHIP RESISTOR 6.8K 1/16W J (0603)	2	PCS	R27,29
13000280	CARBON FILM RESISTOR 20K 1/8W J-52	2	PCS	R51,52
13000321	CARBON FILM RESISTOR 24K 1/8W J-52	1	PCS	R26
13000637	CHIP RESISTOR 0 1/16W J(0603)	7	PCS	R72,R73,121,123,82,83,89
13000098	CHIP RESISTOR 220 1/16W J (0805)	1	PCS	R131
13000290	CARBON FILM RESISTOR 220 1/8W J-52	1	PCS	R2
13000664	CHIP RESISTOR 1M 1/16W J(0603)	2	PCS	R127,R128
13000389	CARBON FILM RESISTOR 47 1/2W J-52	1	PCS	R49
13000060	CHIP RESISTOR 0 1/4W J (1206)	1	PCS	R47
14000669	CHIP CAPACITOR 103P 50V K (0603) X7R	6	PCS	C31,32,42,43,47,48
14000674	CHIP CAPACITOR 472P 50V K (0603) X7R	2	PCS	C11,17
14000382	CHIP CAPACITOR 104P 50V M (0603) Y5V	11	PCS	C2,24,49,50,51,58,59,61,71,111,82
14000745	CHIP CAPACITOR 15P 50V J (0603) NPO	2	PCS	C66,67
14000741	CHIP CAPACITOR 220P 50V K (0603) X7R	4	PCS	C44-46,99
14000755	CHIP CAPACITOR 222P 50V K (0603) X7R	2	PCS	C33,41
14000698	CHIP CAPACITOR 223P 50V M (0603) Y5V	1	PCS	C13

Part list

BOM NO.	DESCRIPTION	Q'TY	UNIT	USAGE
14000875	CHIP CAPACITOR 300P 50V K (0603) X7R	8	PCS	C29,62,63,69,,83,84,86,92
14000876	CHIP CAPACITOR 30P 50V J (0603) NPO	2	PCS	C64,65
14000867	CHIP CAPACITOR 470P 50V K (0603) X7R	4	PCS	C104,105,97,110
14000870	CHIP CAPACITOR 683P 50V M (0603) Y5V	1	PCS	C16
14000326	ELECTROLYTIC CAPACITOR 47u 16V L-5 5X7	1	PCS	C81
14001002	ELECTROLYTIC CAP. 220u 16V L-5 8X5	3	PCS	C3,60,108
14000203	ELECTROLYTIC CAPACITOR 100u 16V L-5 8X5	3	PCS	C93,25,109
14000768	ELECTROLYTIC CAPACITOR 10u 25V L-5 4X5	3	PCS	C1,79,37
14000309	ELECTROLYTIC CAPACITOR 4.7u 50V L-5 4X5	1	PCS	C54
14000680	ELECTROLYTIC CAPACITOR 220u 16V L-5 8X7	1	PCS	C87
14000309	ELECTROLYTIC CAPACITOR 4.7u 50V L-5 4X5	24	PCS	C4-10,12,14,15,18-23,27,28,34-36,C38,39,40
14000021	CERMIC CAP. 104P 50V K-5	1	PCS	C89
14000653	ELECTROLYTIC CAP. 1u 50V L-5 105°C 4X7	4	PCS	C115,C119,C122,C123
14000667	CHIP CAPACITOR 100P 50V K (0603) X7R	2	PCS	C112,C113
14000708	NONINDUCTIVE CAPACITOR 223J 100V K-5	4	PCS	C52,C53,C57,C56
14000160	NONINDUCTIVE CAPACITOR 473J 100V K-5	1	PCS	C55
15000008	FIXED INDUCTOR 10u JRCW0308	1	PCS	L1
33000038	FERRITE BEAD CBG0805 2.2K 500mA	1	PCS	L5
25000014	PINS CONNECTOR 2.0/3P	1	PCS	CN11
25000077	PIN CONNECOTR 2.5/34P (BENDING)	1	PCS	CN6
25000010	PIN CONNECTOR (BENDING) 2.5/2P	2	PCS	CN14,4
25000009	PINS CONNECTOR 2.0/2P	1	PCS	CN15
25000025	PINS CONNECTOR 2.0/4P	1	PCS	CN2
25000034	PINS CONNECTOR 2.0/5	1	PCS	CN12,CN5
25000016	PINS CONNECTOR 2.5/3P	2	PCS	CN13,3
25000053	PINS CONNECTOR 2.0/9P	1	PCS	CN1
22000021	CRYSTAL OSC FREQ.32.768KHz Φ 3XH8 \pm 10PPM	1	PCS	X2
22000018	CERAMIC CRYSTAL 4.19mHz	1	PCS	X1
16000018	DIODE 4148-52	4	PCS	D1,4,7,6
16000058	ZENER DIODE 3.3V 1/2W-52	1	PCS	DZ1
19000081	IC PT2322 SOP	1	PCS	IC2
19000083	IC PT2323 SOP	1	PCS	IC1
19000179	IC 24C01A-SC27(SOP PACKING)	1	PCS	IC4
19000103	IC LM7805/LM340T5 7805	2	PCS	IC6,9
16000115	DIODE IN60 L26	2	PCS	D3,5
17000025	TRANSISTOR 8050C-5	5	PCS	Q7,8,12,13,14
17000030	TRANSISTOR 8550C-5	4	PCS	Q5,6,11,10
17000009	CHIP TRANSISTOR 9014 (SOT-23)	1	PCS	Q2
17000039	TRANSISTOR 9015C-5	1	PCS	Q1
17000005	CHIP TRANSISTOR BC817-25(SOT23)	2	PCS	Q3,Q4

Part list

BOM NO.	DESCRIPTION	Q'TY	UNIT	USAGE
26000083	△FUSE F1A/125V	2	PCS	R25, 90
24000070	RCA SOCKET 2p AV2-8.4-13 RED WHITE	1	PCS	J200
35-MCD759D-01A1	CPU PCB#35-MCD759D-01A1	1	PCS	
07-MCD759D-06A101	DISPLAY PCB ASS'Y MCD759D	1	SET	
13000316	CARBON FILM RESISTOR 2.2 1/2W J	2	PCS	R603,604
14000386	CHIP CAPACITOR 104P 50V M (0805) Y5V	4	PCS	C602-605
14000425	CHIP CAPACITOR 334P 50V M (0805) Y5V	4	PCS	C607-610
13000070	CHIP RESISTOR 10K 1/16W J (0805)	2	PCS	R609,610
13000117	CHIP RESISTOR 33K 1/16W J (0805)	4	PCS	R605-608
13000124	CHIP RESISTOR 4.7K 1/16W J (0805)	1	PCS	R601
13000127	CHIP RESISTOR 47K 1/16W J (0805)	1	PCS	R602
14000319	ELECTROLYTIC CAPACITOR 47u 16V L 5X11	1	PCS	C601
16000018	DIODE 4148-52	3	PCS	D601-603
19000295	IC PT6311/SC16311/CD16311	1	PCS	IC601
29000227	VFD DISPLAY NE-705D-2.GB	1	PCS	VFD701
23000032	LIGHT TOUCH SWITCH TC103 6X6X5 170G	8	PCS	SW601-608
42000135	BARE WIRE Φ0.6X40mm (375m=1kG)	23	PCS	
35-MCD759D-06A1	DISPLAY PCB 35-MCD759D-06A1	1	PCS	
07-MCD759D-11A101	CABINET TOP LAMP PCB ASS'Y MCD759D-11-1	1	SET	
13000833	CHIP RESISTOR 680 1/4W J (1206)	2	PCS	R904,905
16000035	LED DIODE Φ3 3B4SCB01 (BLUE)	2	PCS	LED1104,1103
35-MCD759D-11A1	TOP CABINET LAMP PCB 35-MCD759D-11A1	1	PCS	
39-MCD705-21A100	MCD705 TOP COVER2 ABS	1	PCS	
07-MCD759D-12A101	CABINET TOP LAMP PCB ASS'Y MCD759D-12-1	1	SET	
13000833	CHIP RESISTOR 680 1/4W J (1206)	1	PCS	R912
16000035	LED DIODE Φ3 3B4SCB01 (BLUE)	1	PCS	LED1200
35-MCD759D-12A1	TOP CABINET LAMP PCB 35-MCD759D-12A1	1	PCS	
07-MCD759D-11A201	CABINET TOP LAMP PCB ASS'Y MCD759D-11-2	1	SET	
13000833	CHIP RESISTOR 680 1/4W J (1206)	2	PCS	R906,907
16000035	LED DIODE Φ3 3B4SCB01 (BLUE)	2	PCS	LED1100,1101
35-MCD759D-11A2	TOP CABINET LAMP PCB 35-MCD759D-11A2	1	PCS	
07-MCD759D-12A201	CABINET TOP LAMP PCB ASS'Y MCD759D-12-2	1	SET	
13000833	CHIP RESISTOR 680 1/4W J (1206)	1	PCS	R910
16000035	LED DIODE Φ3 3B4SCB01 (BLUE)	1	PCS	LED1201
35-MCD759D-12A2	TOP CABINET LAMP PCB 35-MCD759D-12A2	1	PCS	
07-MCD759-15A101	DOCKING PCB ASS'Y MCD759	1	SET	
14000975	ELECTROLYTIC CAP.1u 50V M-5 4X5	2	PCS	C1501,1502
14000386	CHIP CAPACITOR 104P 50V M (0805) Y5V	1	PCS	C1503
14000680	ELECTROLYTIC CAPACITOR 220u 16V L-5 8X7	1	PCS	C1504
25000014	PINS CONNECTOR 2.0/3P	1	PCS	CN1501

Part list

BOM NO.	DESCRIPTION	Q'TY	UNIT	USAGE
25000012	PINS CONNECTOR 2.5/2P	1	PCS	CN1502
25000009	PINS CONNECTOR 2.0/2P	1	PCS	CN1503
25000025	PINS CONNECTOR 2.0/4P	1	PCS	CN1504
24000177	HEADPHONE SOCKET Φ 3.5 TE-03501S-05 SILV.	1	PCS	JACK1501
24000438	S-VIDEO SOCKET DSW-7B	1	PCS	JACK1502
35-MCD759-15A1	DOCKING PCB 35-MCD759-15A1	1	PCS	
07-MCD759D-16A101	DOCKING POWER PCB ASS'Y MCD759D	1	SET	
19000103	IC LM7805/LM340T5 7805	1	PCS	IC1601
14000272	ELECTROLYTIC CAPACITOR 2200u 25V L	1	PCS	C1601
25000029	PINS CONNECTOR 2.5/4P	1	PCS	CN1601
35-MCD759D-16A1	DOCKING POWER PCB 35-MCD759D-16A1#	1	PCS	
07-EC06-04A105	TUNER BOARD PCB ASS'Y EC06-04	1	SET	
12000095	I.F.T. COIL BLACK 6295	1	PCS	T7
12000093	I.F.T. COIL BROWN 6296	1	PCS	T5
12000091	I.F.T. COIL YELLOW 6297	2	PCS	T2,3
12000090	I.F.T. COIL BLACK 6298	1	PCS	T1
12000092	I.F.T. COIL BLACK 6299	1	PCS	T4
13000058	CHIP RESISTOR 0 1/16W J (0805)	5	PCS	R9,44,J2,37,40
13000060	CHIP RESISTOR 0 1/4W J (1206)	1	PCS	R45
13000637	CHIP RESISTOR 0 1/16W J(0603)	1	PCS	J3
20000008	CERAMIC FILTER 10.7MHz ³ PINS	3	PCS	CF2,CF1,CF4
13000641	CHIP RESISTOR 100 1/16W J(0603)	1	PCS	R41
34000046	RELAY 100 K OHM SF-065J-B1	1	PCS	RV1
13000645	CHIP RESISTOR 100K 1/16W J(0603)	2	PCS	R13,12
14000199	ELECTROLYTIC CAPACITOR 100u 16V L-5 5X11	3	PCS	C10,C9,C41
14000375	CHIP CAPACITOR 102P 50V K (0805) X7R	1	PCS	C20
14000668	CHIP CAPACITOR 102P 50V K (0603) X7R	1	PCS	C14
14000379	CHIP CAPACITOR 103P 50V K (0805) X7R	1	PCS	C13
14000386	CHIP CAPACITOR 104P 50V M (0805) Y5V	4	PCS	C8,4,2,5
14000382	CHIP CAPACITOR 104P 50V M (0603) Y5V	2	PCS	C7,3
13000646	CHIP RESISTOR 10K 1/16W J(0603)	1	PCS	R32
14000518	ELECTROLYTIC CAPACITOR 10u 25V L 4X7	1	PCS	C1
14000478	TRIMMER CAP. 10p M TC03Z100H169B00	1	PCS	CT1
13000080	CHIP RESISTOR 120 1/16W J(0805)	1	PCS	R4
13000885	CHIP RESISTOR 120 1/4W J(1206)	1	PCS	R3
13000800	CHIP RESISTOR 120 1/16W J(0603)	2	PCS	R2,1
14000670	CHIP CAPACITOR 12P 50V J(0603)NPO	1	PCS	C15
14000392	CHIP CAPACITOR 12p 50V J(0805) NPO	1	PCS	C36
13000656	CHIP RESISTOR 150 1/16W J(0603)	1	PCS	R30
13000658	CHIP RESISTOR 150K 1/16W J(0603)	1	PCS	R14

Part list

BOM NO.	DESCRIPTION	Q'TY	UNIT	USAGE
14000743	CHIP CAPACITOR 153P 50V M (0603) Y5V	2	PCS	C40,39
14000395	CHIP CAPACITOR 15p 50V J(0805) NPO	1	PCS	C31
13000693	CHIP RESISTOR 390 1/16W J(0603)	2	PCS	R46,47
13000664	CHIP RESISTOR 1M 1/16W J(0603)	2	PCS	R17,16
14000653	ELECTROLYTIC CAP. 1 μ 50V L-5 105°C 4X7	2	PCS	C29,28
14000894	CERMIC CAP. 1U 50V L-5	1	PCS	C21
13000101	CHIP RESISTOR 2.2K 1/16W J (0805)	1	PCS	R8
14000652	ELECTROLYTIC CAP. 2.2 μ 50V L-5 105°C 4X7	1	PCS	C30
13000095	CHIP RESISTOR 22 1/16W J (0805)	1	PCS	R35
13000098	CHIP RESISTOR 220 1/16W J (0805)	1	PCS	R10
14000741	CHIP CAPACITOR 220P 50V K (0603) X7R	3	PCS	C18,17,16
14000407	CHIP CAPACITOR 222P 50V K (0805) X7R	1	PCS	C19
14000410	CHIP CAPACITOR 223P 50V M(0805) Y5V	1	PCS	C34
14000756	CHIP CAPACITOR 224P 50V M (0603) Y5V	6	PCS	C25,24,23,22,42,43
13000103	CHIP RESISTOR 22K 1/16W J (0805)	1	PCS	R20
13000675	CHIP RESISTOR 22K 1/16W J(0603)	1	PCS	R18
14000658	ELECTROLYTIC CAP. 22 μ 16V L-5 105°C 4X7	1	PCS	C35
13000667	CHIP RESISTOR 2.2K 1/16W J(0603)	1	PCS	R27
14000882	CHIP CAPACITOR 2P 50V J(0603) NPO	1	PCS	C38
13000113	CHIP RESISTOR 330 1/16W J (0805)	1	PCS	R7
13000689	CHIP RESISTOR 330 1/16W J(0603)	2	PCS	R6,5
14000420	CHIP CAPACITOR 330P 50V K (0805) X7R	1	PCS	C6
14000418	CHIP CAPACITOR 33P 50V J (0805) NPO	1	PCS	C11
16000048	CHIP ZENER DIODE BZX384-C11 11V	1	PCS	DZ1
13000697	CHIP RESISTOR 4.7K 1/16W J(0603)	2	PCS	R42,43
13000120	CHIP RESISTOR 47 1/16W J (0805)	1	PCS	R26
13000699	CHIP RESISTOR 470 1/16W J(0603)	3	PCS	R21-23
14000676	CHIP CAPACITOR 474P 50V M (0603) Y5V	1	PCS	C32
14000946	CHIP CAPACITOR 560P 50V J (0805) NPO	1	PCS	C37
14000676	CHIP CAPACITOR 474P 50V M (0603) Y5V	2	PCS	C27,26
13000127	CHIP RESISTOR 47K 1/16W J (0805)	1	PCS	R34
13000125	CHIP RESISTOR 47K 1/16W J (0603)	2	PCS	R25,24
13000124	CHIP RESISTOR 4.7K 1/16W J (0805)	1	PCS	R33
25000025	PINS CONNECTOR 2.0/4P	1	PCS	CN1
13000133	CHIP RESISTOR 56K 1/16W J (0805)	1	PCS	R11
25000025	PINS CONNECTOR 2.0/4P	1	PCS	CN2
13000791	CHIP RESISTOR 68K 1/16W J (0603)	1	PCS	R31
22000011	CRYSTAL 75KHz \pm 20PPm Φ 3.0	1	PCS	X1
13000719	CHIP RESISTOR 820 1/16W J(0603)	2	PCS	R29,28
14000447	CHIP CAPACITOR 82p 50V J(0805) NPO	1	PCS	C33

Part list

BOM NO.	DESCRIPTION	Q'TY	UNIT	USAGE
17000009	CHIP TRANSISTOR 9014 (SOT-23)	2	PCS	Q1,5
16000047	CHIP DIODE BAS316	1	PCS	D2
17000018	TRANSISTOR BC547C-5	1	PCS	Q3
17000001	CHIP TRANSISTOR BC857B(SOT23)	1	PCS	Q2
16000010	VARIODE DIODE HN1V02H SOP8	1	PCS	D3
32000013	FM TUNER KST-F404HA-11A	1	PCS	TUNE1
19000042	IC TEA5762	1	PCS	IC1
24000279	ANT. LEADING-OUT TERMINAL WP2-4C	1	PCS	JACK1
25000187	26 SINGLE WIRE 60 BROWN	1	PCS	
35-EC06-04A1	RADIO PCB EC06-04	1	PCS	
07-MCD759D-04A101	OUTPUT PCB ASS'Y MCD759D	1	SET	
25000014	PINS CONNECTOR 2.0/3P	1	PCS	CN401
24000101	OPTICAL DIGITAL JACK TX179AT 0248-CDA	1	PCS	JACK401
35-MCD759D-04A1	OUTPUC PCB#35-MCD759D-04A1#	1	PCS	
08-MCD759-16A101	MOTOR ASS'Y MCD759	1	SET	
37-NE1300-01A100	1300 WORM PREFORMING	1	PCS	
39-NE1300-09A100	NE1300 WORM WHEEL BRACKET	1	PCS	
39-MCD728-17A100	MCD728 WORM WHEEL	1	PCS	
39-MCD728-18A100	MCD728 WORM WHEEL POM	1	PCS	
39000431	SINGLE MOTOR WHEEL WHITE	1	PCS	
34000016	MOTOR RF-360C-13450	1	PCS	
36000290	LEATHER BELT NE-1300	1	PCS	
38000028	SCREW 3 X 4 FM NICKEL-PLATE	2	PCS	
38000114	SCREW 3 X 10 PA NICKEL-PLATE	1	PCS	
25002170	28WIRE 150 2.5/2PX1	1	PCS	
08-MCD759-01A101	DVD DISC ASS'Y MCD759	1	SET	
31000066	DVD MECHANISM SONY KHM-313AAA OPTICAL	1	PCS	
31000043	DVD MECHANISM BRACKET RT-656n	1	PCS	
04-MCD759D-01A101	MCU PARTS ASS'Y MCD759D/37	1	SET	
19000169	CPU U252(3P9228 XYZ-CAN CHANGE)	1	PCS	IC3
45-MCD759D-01A101	MCD759D/37 CPU SOFTWARE	1	PCS	
04-MCD759D-02A101	DECODER CARD ASS'Y MCD759D/37	1	SET	
32000527	DVD DECODER CARD EJS89HD759D	1	PCS	
46-MCD759D-01A101	MCD759D/37 DVD SOFTWARE(V1.0)	1	PCS	
08-MCD759D-01A101	DVD CASING PARTS ASS'Y MCD759D/37	1	SET	
37-MCD759D-01A100	LF MCD759D DVD MATAL BAR	1	PCS	
37-MCD759-06A104	MCD705 DVD SIDE PLATE(L) ALUMINIUM	1	PCS	
37-MCD759-07A101	MCD759 DVD SIDE PLATE ALUMINIUM (R)	1	PCS	
37-MCD705-08A101	MCD705 RIG OUT METAL PLATE ALUMINIUM	1	PCS	
37-MCD988-03A100	MCD988 USB PCB PRESS PLATE	2	PCS	

Part list

BOM NO.	DESCRIPTION	Q'TY	UNIT	USAGE
39-MCD705-34A200	MCD705 DVD CABINET FRONT ABSV2	1	PCS	
39-MCD705-20A100	MCD705 TOP COVER1 PC	1	PCS	
39-MCD705-36A200	MCD705 DVD DRIVE BRACKET ABS	2	PCS	
39-MCD705-24A100	MCD705 DVD TOP COVER ABS	1	PCS	
39-MCD759-17A101	MCD759D DVD CABINET BACK ABSV2	1	PCS	
39-MCD705-12B100	MCD705 DVD CABINET BOTTOM HIPS	1	PCS	
39-MCD705-27A100	MCD705 DVD DOOR ABS	1	PCS	
39-MCD705-32A100	MCD705 DVD CONTROL BUTTON BRACKET ABS	1	PCS	
39-MCD759-05A100	MCD759 DVD LEAP KNOB BRACKET ABS	1	PCS	
39-MCD705-03A200	MCD705 DVD DOOR BRACKET ABS	1	PCS	
39-MCD759-08A100	MCD759 DVD STANDBY KNOB BRACKET ABS	1	PCS	
39-MCD705-25A100	MCD705 DVD SLID PLANK ABS	1	PCS	
39-MCD705-18A100	MCD705 TOP LIGHT LENS PMMA	1	PCS	
39-MCD759-07A101	MCD759 DSC LEAP KNOB SILVER ABS	1	PCS	
39-MCD705-13A101	MCD705 DVD CONTROL BUTTON ABS SILVER	2	PCS	
39-MCD705-26A101	MCD705 DVD CONTROL BUTTON ABS SILVER	2	PCS	
39-MCD759-06A101	MCD759 OPEN/CLOSE KNOB SILVER ABS	1	PCS	
39-MCD705-29A100	MCD705 LED BRACKET ABS	1	PCS	
39-MCD705-16A100	MCD705 DVD CONTROL BUTTON CENTRE	1	PCS	
39-MCD759-09A101	MCD759 DVD STANDBY KNOB SILVER ABS	1	PCS	
39-MCD705-15B108	MCD705 DVD UNIT DISPLAY LENS ORGANIC	1	PCS	
39-MCD705-04A100	MCD705 DVD DOOR POST-L POM	1	PCS	
39-MCD705-07A100	MCD705 DVD DOOR POST-R POM	1	PCS	
39-MCD705-31A100	MCD705 DOOR DRIVE MOTOR BRACKET ABS	1	PCS	
36000243	RUBBER FOOT A MCD705 70° GRAY	2	PCS	
36000244	RUBBER FOOT B MCD705 70° GRAY	2	PCS	
36000460	BLACK SPONGE 10X10X6 40°	4	PCS	
36000867	BLACK SPONGE 30X5X2 40°	2	PCS	
36000042	ROD FIBER PAPER WASHER Φ3X8X0.5	1	PCS	
36000509	BLACK SPONGE 20X10X10 40°	1	PCS	
37000960	SCUTCHEON PHILIPS 56X10 ALM	1	PCS	
38000712	SCREW 3 X 6 PM NICKEL-PLATE	6	PCS	
38000064	SCREW 3 X 4 FMTT NICKEL-PLATE	4	PCS	
38000066	SCREW 3 X 5 FMTT BLACK	2	PCS	
38000069	SCREW 3 X 6 FMTT Φ6 BLACK	4	PCS	
38000348	SCREW 2X6PWT Φ7 BLACK	2	PCS	
38000071	SCREW 3 X 6 FMTT Φ6 NICKEL-PLATE	1	PCS	
38000413	SCREW 2.5 X 7 PWT BLACK	3	PCS	
38000091	SCREW 2.6 X 5 PWT BLACK	7	PCS	
38000166	SCREW 3 X 10 PWA NICKEL-PLATE	2	PCS	

Part list

BOM NO.	DESCRIPTION	Q'TY	UNIT	USAGE
38000634	SCREW 3 X 8 PWMTT NICKEL-PLATE	2	PCS	
38000238	SCREW 2 X 6 PT NICKEL-PLATE	4	PCS	
38000239	SCREW 2.6 X 5 PT NICKEL-PLATE	4	PCS	
38000240	SCREW 2.6 X 6 PT NICKEL-PLATE	2	PCS	
38000243	SCREW 2.6 X 8 PT NICKEL-PLATE	15	PCS	
38000223	SCREW 3 X 6 BTH NICKEL-PLATE	4	PCS	
38000229	SCREW 3 X 10 PTH NICKEL-PLATE	9	PCS	
38000143	SCREW 3 X 10 FA Φ 5.5 NICKEL-PLATE	8	PCS	
38000372	SCREW 3X6 FT Φ 6 BLACK	2	PCS	
38000339	SCREW 3X8FT BLACK	2	PCS	
38000216	SCREW 3 X 10 BT NICKEL-PLATE SCREW 2.5	2	PCS	
38000187	SCREW 3 X 8 BA NICKEL-PLATE	2	PCS	
25000719	30 WIRE 190 2P	3	PCS	
25002119	FLAT FLEXIBLE CABLE 24PX130X0.5XA	1	PCS	
25000588	28 WIRE 180 2.0/5PX1	1	PCS	
25001533	26WIRE 150 2.0/3PX1	1	PCS	
25002172	22 SINGLE WIRE 120 2.5/3PX2	1	PCS	
25000601	28 WIRE 230 2.0/5PX2	1	PCS	
25000717	28WIRE 60 2.0/6PX2	1	PCS	
25002839	28WIRE 220+120 2.0/4P 2.0/5P 2.0/7P	1	PCS	
25002174	28WIRE 80 2.0/9P 2.0/8P	1	PCS	
25002175	26WIRE 130 2.0/4P 2.0/4P	1	PCS	
25002312	28WIRE+28WIRE 60 2.0/4PX2	1	PCS	
25001893	30WIRE 250 2.0/2PX1	1	PCS	
25002535	28WIRE 60 2.0/3PX2	1	PCS	
25001682	26 WIRE 200 2P 2.5/2PX1 2.0/2PX1	1	PCS	
25002832	28WIRE+28WIRE 150 2.0/3PX2	1	PCS	
25002833	28WIRE+28WIRE 100 2.0/3PX2	1	PCS	
25002838	22WIRE 150 2.5/3PX1 2.5/2PX2	1	PCS	
25001367	22WIRE 60 BLACK	1	PCS	
25002924	22WIRE 150 2.5/4P 2.5/2PX2	1	PCS	
25001486	22 SINGLE WIRE 80	1	PCS	
36000124	BLACK SPONGE 13X10X10 40°	1	PCS	
36000461	BLACK SPONGE 12X10X14 40°	1	PCS	
09-MCD759D-02A101	AMP UNIT PARTS ASS'Y MCD759D/37	1	SET	
07-MCD759D-10A101	AMP LAMP PCB ASS'Y MCD759D	1	SET	
13000189	CARBON FILM RESISTOR 1K 1/4W J-52	1	PCS	R1001
16000040	WHITE LED DIODE 3R41W71W-EB	1	PCS	LED1001
35-MCD759D-10A1	AMP FRONT LAMP PCB 35-MCD759D-10A1	1	PCS	
07-MCD759D-08A101	ROT ENCODER PCB ASS'Y MCD759D	1	SET	

Part list

BOM NO.	DESCRIPTION	Q'TY	UNIT	USAGE
35-MCD759D-08A1	ENCODER PCB 35-MCD759D-08A1	1	PCS	
30000001	CODER ED-1612-00-F15 40-80G	1	PCS	
07-MCD759D-09A101	AMP FRONT PCB ASS'Y MCD759D	1	SET	
13000186	CARBON FILM RESISTOR 1K 1/8W J-52	1	PCS	R901
13000251	CARBON FILM RESISTOR 1.5K 1/8W J-52	1	PCS	R902
14000386	CHIP CAPACITOR 104P 50V M (0805) Y5V	1	PCS	C902
14000199	ELECTROLYTIC CAPACITOR 100u 16V L-5 5X11	1	PCS	C901
16000068	ZENER DIODE 5.1V 1/2W-52	1	PCS	DZ901
21000001	REMOTE CONTROL SENSOR SMALL BLACK	1	PCS	S1
23000036	LIGHT TOUCH SWITCH 6X6X5 250g	1	PCS	SW901
35-MCD759D-09A1	AMP FRONT PCB 35-MCD759D-09A1	1	PCS	
36001064	BLACK SPONGE 10X10X12 75°	1	PCS	
07-MCD709-02A104	AMP PCB ASS'Y MCD759	1	SET	
15000005	FIXED INDUCTOR 10u 52	1	PCS	L217
15000036	FIXED INDUCTOR 27u	2	PCS	L203,212
15000019	FIXED INDUCTOR 22u(7A)	2	PCS	L202,213
20000005	CERAMIC FILTER 600KHz 2P	1	PCS	XT202
20000006	CERAMIC FILTER 700KHz 2P(SMALL)	1	PCS	XT201
13000303	CARBON FILM RESISTOR 22K 1/8W J-52	1	PCS	R3
14000373	CHIP CAPACITOR 100P 50V K (0805) X7R	4	PCS	C2054,2056-2058
14000375	CHIP CAPACITOR 102P 50V K (0805) X7R	17	PCS	C202,203,205,206,209-212,214-216,C2034,2035,2039,2042,2043,2048
14000375	CHIP CAPACITOR 102P 50V K (0805) X7R	3	PCS	C2049,2050,2052
14000483	CHIP CAPACITOR 104P 100V M (0805) Y5V	13	PCS	C242,245,246,250,251,264,266,C213,218,219,224,225,239
14000483	CHIP CAPACITOR 104P 100V M (0805) Y5V	12	PCS	C2036,C278,C297,C277,C2061,C296,C2059,C275,C2009,C2005,C2002,C
14000396	CHIP CAPACITOR 153P 50V M (0805) Y5V	4	PCS	C263,265,268,269
14000405	CHIP CAPACITOR 220P 50V K (0805) X7R	8	PCS	C234,237,257,285,2019,2022,201,204
14000586	CHIP CAPACITOR 220P 50V K (1206) X7R	2	PCS	C2044,C299
14000412	CHIP CAPACITOR 224P 50V M (0805) Y5V	1	PCS	C2008
14000418	CHIP CAPACITOR 33P 50V J (0805) NPO	1	PCS	C2011
14000420	CHIP CAPACITOR 330P 50V K (0805) X7R	1	PCS	C256
14000435	CHIP CAPACITOR 470P 50V K (0805) X7R	1	PCS	C2053
14000646	CHIP CAPACITOR 1U 50V M (0805) Y5V	1	PCS	C2029
14000438	CHIP CAPACITOR 474P 50V M (0805) Y5V	6	PCS	C252,254,258,280,282,286
14000484	CHIP CAPACITOR 104P 100V M (1206) Y5V	4	PCS	C240,C243,C2003,C2006
14000443	CHIP CAPACITOR 560P 50V K (0805) X7R	2	PCS	C236,2018
13000063	CHIP RESISTOR 10 1/4W J (1206)	6	PCS	R241,234,247,248,252,253
13000067	CHIP RESISTOR 1K 1/16W J (0805)	5	PCS	R201,256,283,281,5,
13000070	CHIP RESISTOR 10K 1/16W J (0805)	5	PCS	R220,222,257,259,204
13000074	CHIP RESISTOR100K 1/16W J (0805)	3	PCS	R258,260,267
13000077	CHIP RESISTOR 1M 1/16W J (0805)	1	PCS	R264

Part list

BOM NO.	DESCRIPTION	Q'TY	UNIT	USAGE
13000124	CHIP RESISTOR 4.7K 1/16W J (0805)	5	PCS	R214,R216,R2,R282,1
13000085	CHIP RESISTOR 1.5K 1/16W J (0805)	1	PCS	R268
13000095	CHIP RESISTOR 22 1/16W J (0805)	3	PCS	R205,261,R284
13000096	CHIP RESISTOR 22 1W J (2512)	4	PCS	R231,232,238,239
13000101	CHIP RESISTOR 2.2K 1/16W J (0805)	1	PCS	R237
13000109	CHIP RESISTOR 2.7K 1/16W J (0805)	3	PCS	R218, 221,202
13000113	CHIP RESISTOR 330 1/16W J (0805)	1	PCS	R208
13000124	CHIP RESISTOR 4.7K 1/16W J (0805)	2	PCS	R210,219
13000127	CHIP RESISTOR 47K 1/16W J (0805)	4	PCS	R209,211,212,217
13000537	CHIP RESISTOR 4.7 1/4W J (1206)	2	PCS	R235,243
13000131	CHIP RESISTOR 5.6K 1/16W J (0805)	6	PCS	R207,224,226,227,230,255
13000135	CHIP RESISTOR 680 1/16W J (0805)	3	PCS	R206,213,215
13000136	CHIP RESISTOR 6.8K 1/16W J (0805)	1	PCS	R265
13000528	CARBON FILM RESISTOR 82 1/4W J-52	1	PCS	R4
13000058	CHIP RESISTOR 0 1/16W J (0805)	10	PCS	R270,R272,R273,R274,R275,R276,R277,R278,R279,R280
13000103	CHIP RESISTOR 22K 1/16W J (0805)	2	PCS	R223,225
13000058	CHIP RESISTOR 0 1/16W J (0805)	1	PCS	
14000459	NONINDUCTIVE CAPACITOR 474P 63V K-5	2	PCS	C271,293
14000452	NONINDUCTIVE CAPACITOR 104J 100V K-5	4	PCS	c2063,c2064,C273,C270
14000460	NONINDUCTIVE CAPACITOR 684M 100V K	2	PCS	C272,294
14000522	ELECTROLYTIC CAP.100u 16V L 105°C 5X11	1	PCS	C2062
14000239	ELECTROLYTIC CAP.22u16V L-5 105°C 5X11	1	PCS	C2028
14000661	ELECTROLYTIC CAPACITOR 330u 35V L-5 105°	1	PCS	C2031
14000541	ELECTROLYTIC CAPACITOR 220u 35V L 105°C	1	PCS	C2032
14000554	ELECTROLYTIC CAP.47u 16V L-5 105°C 5X11	1	PCS	C2
14000717	ELECTROLYTIC CAP.22u 100V L 105°C SHQ	2	PCS	C227,228
14000554	ELECTROLYTIC CAP.47u 16V L-5 105°C 5X11	1	PCS	C279
14000718	ELECTROLYTIC CAP.47u 35V 105°C SHQ	4	PCS	C221,222,2026,2027
14000716	ELECTROLYTIC CAP.470u 35V 105°C SHQ	5	PCS	C2015, 2012, 2016, 2013,C238
14000786	ELECTROLYTIC CAP.5600U 50V L 105°C 22X35	2	PCS	C2037,2040
16000104	RECTIFIER DIODE 4001-52	2	PCS	D1,D2
16000156	ZENER DIODE 18V -52	1	PCS	DZ205
16000070	ZENER DIODE 5.6V 1/2W-52	2	PCS	DZ201,204
16000085	ZENER DIODE BZX-79-B24V—52	2	PCS	DZ202,DZ203
16000155	ZENER DIODE 15V 0.5W -52	1	PCS	DZ206
17000000	CHIP TRANSISTOR BC847C(SOT23)	6	PCS	Q201,204,208,209,211,3
17000001	CHIP TRANSISTOR BC857B(SOT23)	3	PCS	Q203,205,212
18000013	MOSFET BUK7509-55A	2	PCS	Q1,2
18000000	MOSFET BUK7535-55A	1	PCS	Q210
17000013	TRANSISTOR 2SB772A	1	PCS	Q202

Part list

BOM NO.	DESCRIPTION	Q'TY	UNIT	USAGE
17000030	TRANSISTOR 8550C-5	1	PCS	Q5
17000049	CHIP TRANSISTOR BC847B(SOT23)	1	PCS	Q105
18000010	THYRISTOR RS1010G(10A)	1	PCS	DB1
19000170	IC HEF4013T CHIP PACKING	1	PCS	IC206
19000112	IC 7812	1	PCS	IC202
19000117	CHIP IC 74HCU04D	1	PCS	IC205
19000120	CHIP IC TDA8920(PACKING)	2	PCS	IC203,204
25000012	PINS CONNECTOR 2.5/2P	2	PCS	CN204,CN1
25000014	PINS CONNECTOR 2.0/3P	1	PCS	CN206
25000016	PINS CONNECTOR 2.5/3P	2	PCS	Q206,207
25000020	PIN SOCKET 3.96/3P	1	PCS	CN201
25000029	PINS CONNECTOR 2.5/4P	1	PCS	CN205
25002333	20 SINGLE WIRE 120 2.5/3PX1	2	PCS	
25000063	PINS CONNECTOR 2.0/12P	1	PCS	CN202
26000000	△FUUSE F1.5A/125V	1	PCS	F203
26000009	△FUUSE F6.3AL250V(50F)	2	PCS	F201,202
33000017	FERRITE BEAD JRHW0349 BLUE	4	PCS	L205,206,210,211
35-MCD709-02A1	AMP PCB MCD709 D-CLASS CLASS-D3-2	1	PCS	
26000051	△FUUSE HOLDER(PLASTIC)	2	PCS	F201,202
36000685	MICA INSULATION SHEET 14.5X11	2	PCS	
37-MCD759-12A100	HEAT SINK MCD759 58.6X30X72.5	1	PCS	
38000231	SCREW 3 X 12 BTH NICKEL-PLATE	4	PCS	
39000715	CORDH=3.5	4	PCS	
38000273	SCREW 3 X 4 BMTT NICKEL-PLATE	3	PCS	
37001071	HEAT SINK 44X12X1.5 MCD759	4	PCS	IC202,Q206,207,210
36000042	ROD FIBER PAPER WASHER Φ3X8X0.5	1	PCS	
07-MCD709-04A101	ECO POWER PCB ASS'Y MCD709/37	1	SET	
11000132	△TRANSFORMER ECO ECO-228A-37	1	PCS	T501
34000134	RELAY OMITSS-112LM DC12	1	PCS	REL501
25000012	PINS CONNECTOR 2.5/2P	1	PCS	CN502
25001581	PIN SOCKET 3.96/3P	1	PCS	CN504
35-MCD709-04A1	POWER PCB MCD709 MCD709-5 225.5X147/21	1	PCS	
07-MCD759D-02A101	MAIN POWER PCB ASS'Y MCD759D	1	SET	
13000637	CHIP RESISTOR 0 1/16W J(0603)	1	PCS	R214
13000697	CHIP RESISTOR 4.7K 1/16W J(0603)	1	PCS	R219
13000646	CHIP RESISTOR 10K 1/16W J(0603)	4	PCS	R203,204,207,208
13000675	CHIP RESISTOR 22K 1/16W J(0603)	2	PCS	R218,220
13000314	CARBON FILM RESISTOR 2.2 1/4W J-52	2	PCS	R205,206
13000530	CHIP RESISTOR 100 1/4W J(1206)	1	PCS	R222
13000242	CARBON FILM RESISTOR 15 1/2W J-52	1	PCS	R212

Part list

BOM NO.	DESCRIPTION	Q'TY	UNIT	USAGE
13000851	CARBON FILM RESISTOR 39 1/4W J-52	1	PCS	R201
13000178	CARBON FILM RESISTOR 100 1/8W J-52	2	PCS	R210,211
13000852	CARBON FILM RESISTOR 220 1/4W J-52	1	PCS	R209
13000060	CHIP RESISTOR 0 1/4W J (1206)	1	PCS	R223
13000401	CARBON FILM RESISTOR 4.7K 1/8W J-52	2	PCS	R202,221
13000193	CARBON FILM RESISTOR 10K 1/8W J-52	2	PCS	R213,R215
14000021	CERMIC CAP. 104P 50V K-5	7	PCS	C204,206,209-213
14000321	ELECTROLYTIC CAPACITOR 47u 16V L-5 5X11	1	PCS	C215
14000521	ELECTROLYTIC CAPACITOR 100u 16V M 5X11	1	PCS	C214
14000536	ELECTROLYTIC CAP.220u 16V L-5 105°	1	PCS	C201
14000681	ELECTROLYTIC CAPACITOR220u50VL-5 10X12.5	3	PCS	C202,203,205
14000563	ELECTROLYTIC CAPACITOR 470u 35V L 10X16	1	PCS	C207
14000296	ELECTROLYTIC CAPACITOR 3300u 35V L 16X30	1	PCS	C208
16000058	ZENER DIODE 3.3V 1/2W-52	1	PCS	DZ202
16000104	RECTIFIER DIODE 4001-52	11	PCS	D207-212,201-204,205
16000018	DIODE 4148-52	1	PCS	D206
16000089	ZENER DIODE 27V 1/2W-52	1	PCS	DZ201
17000026	TRANSISTOR 8050D-5	2	PCS	Q201,202
25000009	PINS CONNECTOR 2.0/2P	4	PCS	CN205,208,210,207
25000012	PINS CONNECTOR 2.5/2P	1	PCS	CN204
25000014	PINS CONNECTOR 2.0/3P	2	PCS	CN201,209
25000046	PINS CONNECTOR 2.5/7P	1	PCS	CN206
25000063	PINS CONNECTOR 2.0/12P	1	PCS	CN202
25000077	PIN CONNECOTR 2.5/34P (BENDING)	1	PCS	CN203
24000008	S-VIODE SOCKET DS-106	1	PCS	JACK201
26000051	△FUZE HOLDER(PLASTIC)	1	PCS	F201
26000002	△FUZE F2AL250V	1	PCS	F201
18000007	THYRISTOR RS406(4A)	1	PCS	BD201
35-MCD759D-02A1	MAIN POWER PCB 35-MCD759D-02A1#	1	PCS	
07-MCD759-05A101	SPEAKER SOCKET ASS'Y MCD759	1	SET	
25000029	PINS CONNECTOR 2.5/4P	1	PCS	CN501
25000012	PINS CONNECTOR 2.5/2P	1	PCS	CN502
24000328	△OUT SOCKET DC-101A-EP	3	PCS	JACK501, 502, 503
35-MCD759-05A1	SPEAKER VIDEO PCB 35-MCD759-05A1	1	PCS	
07-MCD759D-11A101	CABINET TOP LAMP PCB ASS'Y MCD759D-11-1	1	SET	
13000833	CHIP RESISTOR 680 1/4W J (1206)	2	PCS	R904,905
16000035	LED DIODE φ3 3B4SCB01 (BLUE)	2	PCS	LED1104,1103
35-MCD759D-11A1	TOP CABINET LAMP PCB 35-MCD759D-11A1	1	PCS	
39-MCD705-21A100	MCD705 TOP COVER2 ABS	1	PCS	
07-MCD759D-12A101	CABINET TOP LAMP PCB ASS'Y MCD759D-12-1	1	SET	

Part list

BOM NO.	DESCRIPTION	Q'TY	UNIT	USAGE
13000833	CHIP RESISTOR 680 1/4W J (1206)	1	PCS	R912
16000035	LED DIODE Φ 3 3B4SCB01 (BLUE)	1	PCS	LED1200
35-MCD759D-12A1	TOP CABINET LAMP PCB 35-MCD759D-12A1	1	PCS	
07-MCD759D-11A201	CABINET TOP LAMP PCB ASS'Y MCD759D-11-2	1	SET	
13000833	CHIP RESISTOR 680 1/4W J (1206)	2	PCS	R906,907
16000035	LED DIODE Φ 3 3B4SCB01 (BLUE)	2	PCS	LED1100,1101
35-MCD759D-11A2	TOP CABINET LAMP PCB 35-MCD759D-11A2	1	PCS	
07-MCD759D-12A201	CABINET TOP LAMP PCB ASS'Y MCD759D-12-2	1	SET	
13000833	CHIP RESISTOR 680 1/4W J (1206)	1	PCS	R910
16000035	LED DIODE Φ 3 3B4SCB01 (BLUE)	1	PCS	LED1201
35-MCD759D-12A2	TOP CABINET LAMP PCB 35-MCD759D-12A2	1	PCS	
08-MCD759D-02A101	AMP CASING PARTS ASS'Y MCD759D/37	1	SET	
37-MCD759-01A100	MCD759 AMP METAL BOTTOM	1	PCS	
37-MCD759-02A105	MCD705 DVD SIDE PLATE(L) ALUMINIUM	1	PCS	
37-MCD759-03A101	MCD759 SIDE PLATE ALUMINIUM (R)	1	PCS	
37-MCD705-08A100	MCD705 RIG OUT METAL PLATE ALUMINIUM	1	PCS	
37000842	METAL PLATE 43X17.5X1.0	1	PCS	
37000895	METAL PLATE 21.5X8X0.8	1	PCS	
38000071	SCREW 3 X 6 FMTT Φ 6 NICKEL-PLATE	2	PCS	
39-MCD705-33A200	MCD705 AMP CABINET FRONT ABSV2	1	PCS	
39-MCD705-20A100	MCD705 TOP COVER1 PC	1	PCS	
39-MCD705-35A101	MCD705 AMP TOP COVER ABS	1	PCS	
39-MCD759-13A201	MCD759 AMP CABINET BACK ABSV2 MCD759/37	1	PCS	
39-MCD705-19A100	MCD705 AMP CABINET BOTTOM HIPS	1	PCS	
39-MCD759-10A100	MCD759 AMP SOURCE KNOB BRACKET ABS	1	PCS	
39-MCD705-18A100	MCD705 TOP LIGHT LENS PMMA	1	PCS	
39-MCD705-09B108	MCD705 AMP UNIT DISPLAY LENS ORGANIC	1	PCS	
39-MCD705-17A100	MCD705 LOGO LIGHT GUIDE PMMA	1	PCS	
39-MCD759-11A101	MCD759 AMP SOURCE KNOB SILVER ABS	1	PCS	
39-MCD705-10A101	MCD705 AMP VOLUME KNOB SILVER ABS	1	PCS	
39-NE1400-02A100	1400 PCB ROD CORD H=7	2	PCS	MCD709-5 PCBX2
36000279	MCD708 PVC SHEET 59X57X0.3 AMP	1	PCS	MCD709-5 PCB*1
36000244	RUBBER FOOT B MCD705 70° GRAY	4	PCS	
36000377	BLACK SPONGE Φ 15XH2 40°	2	PCS	
36000107	BLACK SPONGE 10X10X4 75°	2	PCS	
36000189	BLACK SPONGE Φ 20X2 40°	2	PCS	
36000190	BLACK SPONGE Φ 32X2 40°	1	PCS	
38000041	SCREW 3 X 10 FM NICKEL-PLATE Φ 6	3	PCS	
38000068	SCREW 3 X 5 FMTT NICKEL-PLATE	4	PCS	
38000069	SCREW 3 X 6 FMTT Φ 6 BLACK	3	PCS	

Part list

BOM NO.	DESCRIPTION	Q'TY	UNIT	USAGE
38000050	SCREW 3 X 5 BM NICKEL-PLATE	7	PCS	
38000091	SCREW 2.6 X 5 PWMTT BLACK	8	PCS	
38000239	SCREW 2.6 X 5 PT NICKEL-PLATE	6	PCS	
38000240	SCREW 2.6 X 6 PT NICKEL-PLATE	2	PCS	
38000243	SCREW 2.6 X 8 PT NICKEL-PLATE	13	PCS	
38000223	SCREW 3 X 6 BTH NICKEL-PLATE	5	PCS	
38000229	SCREW 3 X 10 PTH NICKEL-PLATE	6	PCS	
38000267	SCREW 3 X 10 FTΦ6 NICKEL-PLATE	1	PCS	
38000066	SCREW 3 X 5 FMTT BLACK	1	PCS	
38000069	SCREW 3 X 6 FMTT Φ6 BLACK	3	PCS	
38000290	SCREW 3 X 12 BMTT NICKEL-PLATE	2	PCS	
38000536	SCREW 3 X 15 PT NICKEL-PLATE	4	PCS	
11000329	△TRANSFORMER 429D-37 120V/60 MCD759	1	PCS	
33000012	FERRITE CORE JTH29X19X15	1	PCS	
24000230	△AC SOCKET 2.5A/250V (2121-SS)	1	PCS	
32000334	MINI FAN RDM4010S 12V/250	1	PCS	
25002280	26 WIRE 330 2.0/3PX1 2.0/3PX1	1	PCS	
25000577	28 WIRE 170 2.0/4pX1 2.0/4PX1	1	PCS	
25002177	28WIRE 170 2.0/2P 2.0/2P	1	PCS	
25002178	26WIRE+28WIRE 70 2.0/12PX2	1	PCS	
25002331	20 SINGLE WIRE 250 2.5/4PX2	1	PCS	
25002332	20 SINGLE WIRE 280 2.5/2PX2	1	PCS	
25000536	28WIRE 100 2P	1	PCS	
25001893	30WIRE 250 2.0/2PX1	1	PCS	
25000719	30 WIRE 190 2P	3	PCS	
25002834	26WIRE 130 2.0/3PX2	1	PCS	
25002333	20 SINGLE WIRE 120 2.5/3PX1	1	PCS	
25001654	22 SINGLE WIRE 100 BLACK	1	PCS	
09-MCD759D-03A101	SPEAKER BOX ASS'Y MCD759D/37	1	SET	
08-MCD759D-03A101	ENCIRCIE SPEAKER BOX(L) ASS'Y MCD759D/37	1	SET	
24000040	SPEAKER SOCKET DJ-270-03 RED/BLACK	1	PCS	
25000951	22 CONNECT WIRE 2P 170 RED BLACK	1	PCS	
25002335	22 SINGLE WIRE 180 BLACK	1	PCS	
25000984	22 SINGLE WIRE 180 RED	1	PCS	
28000419	SPEAKER 3"8Ω60W	2	PCS	
37000767	SCUTCHEON PHILIPS 28X5.6	1	PCS	
37000891	METAL PLATE 42.3X27.4X1	1	PCS	
37-MCD709-02A101	MCD709 SPEAKER GRILLE Φ4X15 CHROMEPLAT	4	PCS	
39-MCD759-04A100	MCD759 PLASTIC GRILLE BLACK ST118-33	1	PCS	
39-MCD759-03A101	MCD759 TWEETER DECORATIVE LOOP	1	PCS	

Part list

BOM NO.	DESCRIPTION	Q'TY	UNIT	USAGE
36000542	GRILLE FIXER Φ7X7 GRAY MCD709	4	PCS	
36000962	BLACK SPONGE 60X28X2 40°	1	PCS	
38000640	SCREW 3 X 10 PA Φ5 BLACK	8	PCS	
38000528	SCREW 3.5 X 12 FA Φ6.5 BLACK	4	PCS	
38000528	SCREW 3.5 X 12 FA Φ6.5 BLACK	4	PCS	
38000430	SOCKET HEAD SCREW 3X12 HA BLACK	8	PCS	
40000252	WOODEN SPEAKER BOX MCD759 144X250X55	1	PCS	
41005240	ENCIRCIE SPEAKER LABEL(L) MCD759D/93	1	PCS	
41003877	TISSUE BLOW MOLDING 35X23CM	1	PCS	
08-MCD759D-04A101	CENTER SPEAKER BOX ASS'Y MCD759D/37	1	SET	
24000040	SPEAKER SOCKET DJ-270-03 RED/BLACK	1	PCS	
14000921	ELECTROLYTIC CAP. 1.2u 100V M SNP 8X11.5	1	PCS	
25000953	22 CONNECT WIRE 2P 220 RED BLACK	1	PCS	
25001549	22 SINGLE WIRE 250 RED	1	PCS	
25000984	22 SINGLE WIRE 180 RED	1	PCS	
25002335	22 SINGLE WIRE 180 BLACK	1	PCS	
28000345	SPEAKER 4"4Ω75W	2	PCS	
28000350	SPEAKER Φ13 8Ω10W	1	PCS	
36000542	GRILLE FIXER Φ7X7 GRAY MCD709	6	PCS	
37000767	SCUTCHEON PHILIPS 28X5.6	1	PCS	
37000891	METAL PLATE 42.3X27.4X1	1	PCS	
37-MCD709-02A101	MCD709 SPEAKER GRILLE Φ4X15 CHROMEPLAT	6	PCS	
37-MCD759-09A101	MCD759 SPEAKER GRILLE CHROMEPLATE	1	PCS	
39-MCD709-05A100	MCD709 PLASTIC GRILLE BLACK ST118-33	1	PCS	
39-MCD709-04A101	MCD709 DECORATIVE LOOP	2	PCS	
39-MCD709-03A101	MCD709 TWEETER DECORATIVE LOOP	1	PCS	
38000118	SCREW 3 X 16 PA Φ5 BLACK	8	PCS	
38000120	SCREW 3 X 8 PA BLACK	2	PCS	
38000528	SCREW 3.5 X 12 FA Φ6.5 BLACK	4	PCS	
38000528	SCREW 3.5 X 12 FA Φ6.5 BLACK	4	PCS	
38000430	SOCKET HEAD SCREW 3X12 HA BLACK	8	PCS	
40000253	WOODEN SPEAKER BOX MCD759 392X144X67	1	PCS	
41005239	CENTER SPEAKER LABEL MCD759D/93	1	PCS	
41003878	TISSUE BLOW MOLDING 50X23CM	1	PCS	
08-MCD759D-05A101	MAIN SPEAKER BOX ASS'Y(L) MCD759D/37	1	SET	
24000182	SPEAKER SOCKET DJ-028D 92X80	1	PCS	
25000953	22 CONNECT WIRE 2P 220 RED BLACK	3	PCS	
25001638	18SINGLE WIRE 150 RED	1	PCS	
25001567	18 SINGLE WIRE 150 BLACK	1	PCS	
28000145	SPEAKER 4" 8 OHM 40W	2	PCS	

Part list

BOM NO.	DESCRIPTION	Q'TY	UNIT	USAGE
28000147	SPEAKER 6 OHM 10W GOLD	1	PCS	
36000542	GRILLE FIXER Ø7X7 GRAY MCD709	6	PCS	
37000767	SCUTCHEON PHILIPS 28X5.6	1	PCS	
37000826	SPRING WASHER M6 Ø16	4	PCS	
37-MCD709-02A101	MCD709 SPEAKER GRILLE Ø4X15 CHROMEPLAT	6	PCS	
37-MCD709-04A100	ALUMINOUS FOOT MCD709	4	PCS	
39-MCD709-05A100	MCD709 PLASTIC GRILLE BLACK ST118-33	1	PCS	
39-MCD709-04A101	MCD709 DECORATIVE LOOP	1	PCS	
39-MCD709-04A102	MCD709 WOOFER DECORATIVE LOOP	1	PCS	
39-MCD709-03A101	MCD709 TWEETER DECORATIVE LOOP	1	PCS	
39000343	PORT TUBE DH-2190 MCD709 MAIN SPEAKER	1	PCS	
38000118	SCREW 3 X 16 PA Ø5 BLACK	8	PCS	
38000208	SCREW 4 X 16 BA BLACK	4	PCS	
38000194	SCREW 3 X 12 BA BLACK	4	PCS	
38000430	SOCKET HEAD SCREW 3X12 HA BLACK	8	PCS	
40000257	WOODEN SPEAKER BOX MCD759 132X960X132	1	PCS	
36000600	BLACK SPONGE PAD 117X76X3	1	PCS	
36000216	RUBBER FOOT MCD700 Ø12X8X7BLACK	4	PCS	
38000459	SCREW 3.5 X 25 BA BLACK	4	PCS	
38000467	SCREW 6 X 70 TM	4	PCS	
37000832	SMALL DUCT Ø8XØ6.1XH11.5 BLACK	4	PCS	
41005237	FRONT SPEAKER LABEL(L) MCD759D/93	1	PCS	
41002062	TISSUE BLOW MOLDING BAG 108X30cm	1	PCS	
41002066	TISSUE BLOW MOLDING 380X380X0.7	1	PCS	
07-MCD709-01A101	FREQUENCY DIVIDER ASS'Y PH MCD709	1	SET	
15000091	FIXED INDUCTOR F42450 0.45mH/0.7mm	1	PCS	L
15000090	FIXED INDUCTOR F22140 (0.14mH/0.5mm)	1	PCS	
14000713	ELECTROLYTIC CAP. 12u 100V M 12.5X25	1	PCS	C1
14000714	ELECTROLYTIC CAP. 3.9u 100V M 10X16	1	PCS	C2
35-MCD709-01A1	FREQUENCY DIVIDER PCB MCD709 MCD709-20	1	PCS	
36000288	NYLON CABLE TIES 150	2	PCS	
08-MCD759D-07A101	ENCIRCIE SPEAKER BOX(R) ASS'Y MCD759D/37	1	SET	
24000040	SPEAKER SOCKET DJ-270-03 RED/BLACK	1	PCS	
25000951	22 CONNECT WIRE 2P 170 RED BLACK	1	PCS	
25002335	22 SINGLE WIRE 180 BLACK	1	PCS	
25000984	22 SINGLE WIRE 180 RED	1	PCS	
28000419	SPEAKER 3"8Ω60W	2	PCS	
37000767	SCUTCHEON PHILIPS 28X5.6	1	PCS	
37000891	METAL PLATE 42.3X27.4X1	1	PCS	
37-MCD709-02A101	MCD709 SPEAKER GRILLE Ø4X15 CHROMEPLAT	4	PCS	

Part list

BOM NO.	DESCRIPTION	Q'TY	UNIT	USAGE
39-MCD759-04A100	MCD759 PLASTIC GRILLE BLACK ST118-33	1	PCS	
39-MCD759-03A101	MCD759 TWEETER DECORATIVE LOOP	1	PCS	
36000542	GRILLE FIXER Φ7X7 GRAY MCD709	4	PCS	
36000962	BLACK SPONGE 60X28X2 40°	1	PCS	
38000640	SCREW 3 X 10 PA Φ5 BLACK	8	PCS	
38000528	SCREW 3.5 X 12 FA Φ6.5 BLACK	4	PCS	
38000528	SCREW 3.5 X 12 FA Φ6.5 BLACK	4	PCS	
38000430	SOCKET HEAD SCREW 3X12 HA BLACK	8	PCS	
40000252	WOODEN SPEAKER BOX MCD759 144X250X55	1	PCS	
41005472	ENCIRCIE SPEAKER LABEL(R) MCD759D/37	1	PCS	
41003877	TISSUE BLOW MOLDING 35X23CM	1	PCS	
08-MCD759D-08A101	MAIN SPEAKER BOX ASS'Y (R) MCD759D/37	1	SET	
24000182	SPEAKER SOCKET DJ-028D 92X80	1	PCS	
25000953	22 CONNECT WIRE 2P 220 RED BLACK	3	PCS	
25001638	18SINGLE WIRE 150 RED	1	PCS	
25001567	18 SINGLE WIRE 150 BLACK	1	PCS	
28000145	SPEAKER 4" 8 OHM 40W	2	PCS	
28000147	SPEAKER 6 OHM 10W GOLD	1	PCS	
36000542	GRILLE FIXER Φ7X7 GRAY MCD709	6	PCS	
37000767	SCUTCHEON PHILIPS 28X5.6	1	PCS	
37000826	SPRING WASHER M6 Φ16	4	PCS	
37-MCD709-02A101	MCD709 SPEAKER GRILLE Φ4X15 CHROMEPLAT	6	PCS	
37-MCD709-04A100	ALUMINOUS FOOT MCD709	4	PCS	
39-MCD709-05A100	MCD709 PLASTIC GRILLE BLACK ST118-33	1	PCS	
39-MCD709-04A101	MCD709 DECORATIVE LOOP	1	PCS	
39-MCD709-04A102	MCD709 WOOFER DECORATIVE LOOP	1	PCS	
39-MCD709-03A101	MCD709 TWEETER DECORATIVE LOOP	1	PCS	
39000343	PORT TUBE DH-2190 MCD709 MAIN SPEAKER	1	PCS	
38000118	SCREW 3 X 16 PA Φ5 BLACK	8	PCS	
38000208	SCREW 4 X 16 BA BLACK	4	PCS	
38000194	SCREW 3 X 12 BA BLACK	4	PCS	
38000430	SOCKET HEAD SCREW 3X12 HA BLACK	8	PCS	
40000257	WOODEN SPEAKER BOX MCD759 132X960X132	1	PCS	
36000600	BLACK SPONGE PAD 117X76X3	1	PCS	
36000216	RUBBER FOOT MCD700 Φ12X8X7BLACK	4	PCS	
38000459	SCREW 3.5 X 25 BA BLACK	4	PCS	
38000467	SCREW 6 X 70 TM	4	PCS	
37000832	SMALL DUCT Φ8XΦ6.1XH11.5 BLACK	4	PCS	
41005471	FRONT SPEAKER LABEL(R) MCD759D/93 40X27	1	PCS	
41002062	TISSUE BLOW MOLDING BAG 108X30cm	1	PCS	

Part list

BOM NO.	DESCRIPTION	Q'TY	UNIT	USAGE
41002066	TISSUE BLOW MOLDING 380X380X0.7	1	PCS	
07-MCD709-01A101	FREQUENCY DIVIDER ASS'Y PH MCD709	1	SET	
15000091	FIXED INDUCTOR F42450 0.45mH/0.7mm	1	PCS	L
15000090	FIXED INDUCTOR F22140 (0.14mH/0.5mm)	1	PCS	
14000713	ELECTROLYTIC CAP. 12u 100V M 12.5X25	1	PCS	C1
14000714	ELECTROLYTIC CAP. 3.9u 100V M 10X16	1	PCS	C2
35-MCD709-01A1	FREQUENCY DIVIDER PCB MCD709 MCD709-20	1	PCS	
36000288	NYLON CABLE TIES 150	2	PCS	
09-MCD759D-04A101	WOOFER SPEAKER BOX ASS'Y MCD759D/37	1	SET	
07-MCD759-13A101	WOOFER AMP PCB ASS'Y MCD759	1	SET	
13000537	CHIP RESISTOR 4.7 1/4W J (1206)	2	PCS	R235,243
13000063	CHIP RESISTOR 10 1/4W J (1206)	6	PCS	R247,248,252,253,234,241
13000095	CHIP RESISTOR 22 1/16W J (0805)	3	PCS	R205,261,284
13000096	CHIP RESISTOR 22 1W J (2512)	4	PCS	R232,238,239,231
13000135	CHIP RESISTOR 680 1/16W J (0805)	2	PCS	R213,215
13000113	CHIP RESISTOR 330 1/16W J (0805)	1	PCS	R286
13000067	CHIP RESISTOR 1K 1/16W J (0805)	5	PCS	R256,201,203,283,246,
13000085	CHIP RESISTOR 1.5K 1/16W J (0805)	1	PCS	R268
13000101	CHIP RESISTOR 2.2K 1/16W J (0805)	2	PCS	R237,273
13000109	CHIP RESISTOR 2.7K 1/16W J (0805)	3	PCS	R218,221,281
13000124	CHIP RESISTOR 4.7K 1/16W J (0805)	6	PCS	R210,214,216,219,240,242
13000131	CHIP RESISTOR 5.6K 1/16W J (0805)	8	PCS	R207,224,226,227,230,233,255,223
13000136	CHIP RESISTOR 6.8K 1/16W J (0805)	2	PCS	R265,266
13000140	CHIP RESISTOR 8.2K 1/16W J (0805)	2	PCS	R275,276
13000070	CHIP RESISTOR 10K 1/16W J (0805)	7	PCS	R257,259,220,222,250,251,274
13000127	CHIP RESISTOR 47K 1/16W J (0805)	3	PCS	R209,211,217
13000074	CHIP RESISTOR100K 1/16W J (0805)	3	PCS	R258,260,267
13000107	CHIP RESISTOR 240K 1/16W J (0805)	1	PCS	R279
13000077	CHIP RESISTOR 1M 1/16W J (0805)	2	PCS	R264,285
13000314	CARBON FILM RESISTOR 2.2 1/4W J-52	2	PCS	R262,263
13000528	CARBON FILM RESISTOR 82 1/4W J-52	1	PCS	R249
13000290	CARBON FILM RESISTOR 220 1/8W J-52	1	PCS	R288
13000299	CARBON FILM RESISTOR 2.2K 1/4W J-52	2	PCS	R278,287
13000303	CARBON FILM RESISTOR 22K 1/8W J-52	1	PCS	R245
13000147	CEMENT RESISTOR 47 5W J	1	PCS	R236
13000070	CHIP RESISTOR 10K 1/16W J (0805)	1	PCS	R212
14000418	CHIP CAPACITOR 33P 50V J (0805) NPO	1	PCS	C2011
14000373	CHIP CAPACITOR 100P 50V K (0805) X7R	4	PCS	C2054,2056,2057,2058
14000405	CHIP CAPACITOR 220P 50V K (0805) X7R	8	PCS	C257,285,201,204,234,237,2019,2022
14000586	CHIP CAPACITOR 220P 50V K (1206) X7R	1	PCS	C299

Part list

BOM NO.	DESCRIPTION	Q'TY	UNIT	USAGE
14000420	CHIP CAPACITOR 330P 50V K (0805) X7R	1	PCS	C256
14000435	CHIP CAPACITOR 470P 50V K (0805) X7R	1	PCS	C2053
14000443	CHIP CAPACITOR 560P 50V K (0805) X7R	2	PCS	C236,2018
14000375	CHIP CAPACITOR 102P 50V K (0805) X7R	11	PCS	C202,205,206,214,215,2049,2050,2052,C203,209,210
14000375	CHIP CAPACITOR 102P 50V K (0805) X7R	10	PCS	C211,212,216,2034,2035,2039,2042,C2043,2048,232
14000397	CHIP CAPACITOR 153P 50V M (1206) Y5V	1	PCS	C2044
14000396	CHIP CAPACITOR 153P 50V M (0805) Y5V	4	PCS	C263,265,268,269
14000437	CHIP CAPACITOR 473P 50V M (0805) Y5V	1	PCS	C2029
14000483	CHIP CAPACITOR 104P 100V M (0805) Y5V	12	PCS	C239,242,245,246,264,266,2002,C2051,213,219,297,2005
14000483	CHIP CAPACITOR 104P 100V M (0805) Y5V	10	PCS	C225,240,243,277,278,296,C2059,2061,2036,2009
14000484	CHIP CAPACITOR 104P 100V M (1206) Y5V	2	PCS	C2003,2006
14000412	CHIP CAPACITOR 224P 50V M (0805) Y5V	1	PCS	C2008
14000438	CHIP CAPACITOR 474P 50V M (0805) Y5V	6	PCS	C252,258,280,286,254,282
14000306	ELECTROLYTIC CAPACITOR 4.7u 50V L-5 5X11	2	PCS	C267,235
14000306	ELECTROLYTIC CAPACITOR 4.7u 50V L-5 5X11	1	PCS	C231
14000239	ELECTROLYTIC CAP.22u16V L-5 105°C 5X11	1	PCS	C2028
14000717	ELECTROLYTIC CAP.22u 100V L 105°C SHQ	2	PCS	C227,228
14000554	ELECTROLYTIC CAP.47u 16V L-5 105°C 5X11	2	PCS	C220,279
14000556	ELECTROLYTIC CAP.47u 35V L-5 105°C 5X11	2	PCS	C222,C2027
14000650	ELECTROLYTIC CAP100u 16V L-5 105°C 6.3X7	2	PCS	C2062,233
14000647	ELECTROLYTIC CAP.220U 25V L-5 105°C 8X9	3	PCS	C261,2031,255
14000656	ELECTROLYTI CAP.220u 35V L-5 105°C	1	PCS	C2032
14000681	ELECTROLYTIC CAPACITOR220u50VL-5 10X12.5	2	PCS	C229,230
14000716	ELECTROLYTIC CAP.470u 35V 105°C SHQ	5	PCS	C2015,238,2012,2013,2016
14000786	ELECTROLYTIC CAP.5600U 50V L 105°C 22X35	2	PCS	C2037,2040
14000160	NONINDUCTIVE CAPACITOR 473J 100V K-5	1	PCS	C247
14000452	NONINDUCTIVE CAPACITOR 104J 100V K-5	11	PCS	C250,251,274,275,260,270,273,249,C2063,2064,291
14000725	NONINDUCTIVE CAPACITOR 154J 100V K-5	2	PCS	C217,241
14000881	NONINDUCTIVE CAPACITOR 224P 100V K-5	4	PCS	C207,208,248,290
14000678	NONINDUCTIVE CAPACITOR 334J 100V K-5	1	PCS	C259
14000459	NONINDUCTIVE CAPACITOR 474P 63V K-5	2	PCS	C271,293
14000511	NONINDUCTIVE CAPACITOR 684J 100VJ-5	2	PCS	C272,294
14000021	CERMIC CAP. 104P 50V K-5	2	PCS	C253,262
15000005	FIXED INDUCTOR 10u 52	1	PCS	L217
15000019	FIXED INDUCTOR 22u(7A)	2	PCS	L202,213
15000036	FIXED INDUCTOR 27u	2	PCS	L203,212
25000012	PINS CONNECTOR 2.5/2P	2	PCS	CN203,204
25000016	PINS CONNECTOR 2.5/3P	1	PCS	CN205
25000020	PIN SOCKET 3.96/3P	1	PCS	CN201
16000104	RECTIFIER DIODE 4001-52	4	PCS	D202-205

Part list

BOM NO.	DESCRIPTION	Q'TY	UNIT	USAGE
16000018	DIODE 4148-52	1	PCS	D201
16000070	ZENER DIODE 5.6V 1/2W-52	2	PCS	DZ201,204
20000005	CERAMIC FILTER 600KHz 2P	1	PCS	XT202
20000006	CERAMIC FILTER 700KHz 2P(SMALL)	1	PCS	XT201
17000013	TRANSISTOR 2SB772A	1	PCS	Q202
17000030	TRANSISTOR 8550C-5	1	PCS	Q215
17000000	CHIP TRANSISTOR BC847C(SOT23)	7	PCS	Q213,216,201,204,208,211,214
17000001	CHIP TRANSISTOR BC857B(SOT23)	3	PCS	Q203,205,212
18000013	MOSFET BUK7509-55A	2	PCS	Q206,207
16000085	ZENER DIODE BZX-79-B24V—52	2	PCS	DZ203,202
26000051	△FUUSE HOLDER(PLASTIC)	2	PCS	F201,202
26000009	△FUUSE F6.3AL250V(50F)	2	PCS	F201,202
26000000	△FUUSE F1.5A/125V	1	PCS	F203
33000017	FERRITE BEAD JRHW0349 BLUE	4	PCS	L205,206,210,211
18000010	THYRISTOR RS1010G(10A)	1	PCS	DB201
19000117	CHIP IC 74HCU04D	1	PCS	IC207
24000328	△OUT SOCKET DC-101A-EP	2	PCS	SP JACK302, 301
24000008	S-VIODE SOCKET DS-106	1	PCS	JACK201
19000170	IC HEF4013T CHIP PACKING	1	PCS	IC206
19000112	IC 7812	1	PCS	IC202
19000120	CHIP IC TDA8920(PACKING)	2	PCS	IC203,204
19000172	IC TL072 (PACKING NE4558/CHMC4558)	1	PCS	IC201
35-MCD759-13A1	WOOFER AMP PCB 35-MCD759-13A1	1	PCS	
37001071	HEAT SINK 44X12X1.5 MCD759	2	PCS	Q206,207
38000273	SCREW 3 X 4 BMTT NICKEL-PLATE	2	PCS	Q206,207
38000231	SCREW 3 X 12 BTH NICKEL-PLATE	4	PCS	
39000715	CORDH=3.5	4	PCS	
36000685	MICA INSULATION SHEET 14.5X11	2	PCS	
36000042	ROD FIBER PAPER WASHER Φ3X8X0.5	1	PCS	
37-MCD759-12A100	HEAT SINK MCD759 58.6X30X72.5	1	PCS	
08-MCD759D-06A101	WOOFER SPEAKER BOX ASS'Y MCD759D/37	1	SET	
28000146	WOOFER SPEAKER 8" 8Ω150W	1	PCS	
37000768	SCUTCHEON PHILIPS 32X6.4	1	PCS	
38000208	SCREW 4 X 16 BA BLACK	8	PCS	
38000363	SCREW 4X12 BA BLACK	4	PCS	
38000614	SCREW 3.5 X 12 PA BLACK	18	PCS	
37000895	METAL PLATE 21.5X8X0.8	1	PCS	
36000288	NYLON CABLE TIES 150	2	PCS	
40000255	WOODEN SPEAKER BOX MCD759 250X300X420	1	PCS	
40000095	PLASTIC GRILLE MCD709	1	PCS	

Part list

BOM NO.	DESCRIPTION	Q'TY	UNIT	USAGE
71000077	PAPER Φ70.5XΦ65X110mm	1	PCS	
37001064	METAL WASHER Φ10X30X2 NICKEL-PLATE	1	PCS	
37-MCD759-10A100	MCD759 WOOFER AMP MATAL BAR	1	PCS	
37-MCD759-15A101	MCD759 WOOFER MATAL PLATE 172X58.5X1	1	PCS	
39-MCD709-02A100	MCD709 PORT TUBE BLACK 100X60	1	PCS	
39-NE1400-28A100	NE1400CD ROD CORD H=8.7	4	PCS	
39-MCD709-01A101	MCD709 PORT TUBE BLACK 117X69	1	PCS	
39-WD1-01A100	WD-1 PORT TUBE Φ38X105 BLACK	1	PCS	
36000601	RUBBER PAD Φ20X11 BLACK	4	PCS	
38000385	SCREW 4 X 47 FA NICKEL-PLATE	4	PCS	
38000545	SCREW 3 X 20 BAH BLACK	4	PCS	
33000012	FERRITE CORE JTH29X19X15	1	PCS	
24000230	△AC SOCKET 2.5A/250V (2121-SS)	1	PCS	
11000331	△TRANSFORMER 419D-37 120V/60 MCD759	1	PCS	
23000111	△SWITCH KCD-1 8A/250V	1	PCS	
25002339	22 WIRE(DOUBLE INSULATION) 180 RED	2	PCS	
25002277	20 WIRE 300 2.5/2PX1	1	PCS	
34000144	MINI FAN RDM4010S 12V/0.07A	1	PCS	
41005238	WOOFER SPEAKER BOX LABEL MCD759D/37	1	PCS	
41002063	TISSUE BLOW MOLDING BAG 75X65cm	1	PCS	
41004216	PE POLYBAG 72X62cm	1	PCS	
09-MCD759D-05A101	PACKING PARTS ASS'Y MCD759D/37	1	SET	
08-MCD759-26A101	ACCESSORY MCD759	1	SET	
37001094	METAL PLATE 60X30X30X1	2	PCS	
38000014	SCREW 3 X 8 PM BLACK	4	PCS	
41000173	PE POLYBAG 18X10cm	1	PCS	
41000183	PE POLYBAG 26X7cm	1	PCS	
41000177	PE POLYBAG 20X7cm	2	PCS	
41001013	PE POLYBAG 24X7cm	1	PCS	
41001014	PE POLYBAG 26X17cm	2	PCS	
41000202	PE POLYBAG 33X22cm	1	PCS	
41002444	ACCESSORY AGENT BLANK BOX 306X217X57	1	PCS	
41001041	TISSUE BLOW MOLDING 33X32cm	2	PCS	
41005225	GIFT BOX MCD759D/37	1	PCS	
41004241	AC VOLTAGE WARNING LABEL PH 51X17	1	PCS	
41002623	POLYFOAM MCD759	1	PCS	
41005226	GIFT BOX LABEL MCD759D/37 91X111	1	PCS	
41005227	AMP UNIT LBEL MCD759D/37 59.5X44.5	1	PCS	
41005228	DVD UNIT LBEL MCD759D/37 59.5X44.5	1	PCS	
41005229	WARRANTY CRAD LABEL MCD759D/37 60X10	4	PCS	

Part list

BOM NO.	DESCRIPTION	Q'TY	UNIT	USAGE
41001218	DHHS LABEL MCD702/37 52X11	1	PCS	
41000678	MACROVISION LABEL V37 59X12	1	PCS	
41005230	POS BILLBOARD MCD759D/37	1	PCS	
41000677	LABEL MCD700/37 10 DAY Φ57	1	PCS	
41005231	WARRANTY CARD LABEL MCD759D/37 85X18	1	PCS	
41005232	WARRANTY CARD LABEL MCD759D/37 85X18	1	PCS	
41000489	Q.C PASSED LABEL Φ13	1	PCS	
41000625	Dolby LABEL PH 59.5X13	1	PCS	
41000626	DTS LABEL PH 59.5X25	1	PCS	
41003711	DESIGNED PH 43X11	1	PCS	
41000514	DVD REGION CODE LABEL DVD 10X10	1	PCS	
41000673	LASER WARNING LABEL PH Φ15 BLACK	1	PCS	
41001219	DIVX LABEL 52X12	1	PCS	
41003881	PAPER 150X90X5	1	PCS	
41005473	STANDARD LABEL 45X15 PH Ver37	1	PCS	
09-MCD759D-06A101	ACCESSORY PARTS ASS'Y MCD759D/37	1	SET	
32000514	iPod SOCKET PHILIPS SET	1	PCS	
27000299	SPEAKER CORDS 5M	1	PCS	
25001949	SINGLE WIRE 1.5m FM ANT	1	PCS	
25002349	WIRE 300 2.5/34PX2 BALCK	1	PCS	
26000073	△AC LINE CORD 1.8M UL	2	PCS	
27000257	WIRE 9P 3M	1	PCS	
27000298	SPEAKER CORDS 15M	1	PCS	
27000260	SPEAKER CORDS 15M	1	PCS	
27000259	SPEAKER CORDS 8M	1	PCS	
27000258	SPEAKER CORDS 5M	1	PCS	
27000055	VIDEO FEEDER CABLE 1.5m 3P RED WHI. YEL.	1	PCS	
34000005	AAA BATTERY 1.5V PHILIPS	2	PCS	
41005233	I.M. MCD759D/37	1	PCS	
41005234	QUICK START GUIDE MCD759D/37 FRENCH	1	PCS	
41005235	QUICK START GUIDE MCD759D/37 SPAISH	1	PCS	
41005236	QUICK START GUIDE MCD759D/37 ENGLISH	1	PCS	
41003341	WARRANTY CARD 37V 3121 233 49211 USA	1	PCS	
41000897	WARRANTY CARD MCD700/37 Canada	1	PCS	
41002875	NEED HELP CARD LABEL V37 (3139 246/5163)	1	PCS	
41003496	TUNE BOOKS PH /37	1	PCS	
36000686	DRESS PH 210	1	PCS	
08-NE1300-03A101	ANTENNA HOLDER ASS'Y AM	1	SET	
25000232	26 SINGLE WIRE 5.5m BLACK	1	PCS	
36000453	TIE WIRES PH 100	1	PCS	

Part list

BOM NO.	DESCRIPTION	Q'TY	UNIT	USAGE
39-NE1300-01A100	1300 ANTENNA HOLDER BLACK	1	PCS	
41001008	PE POLYBAG 19X17cm	1	PCS	
39-NE2200-26A400	2200 SPEAKER BOX PCN CK8845	1	PCS	
39-NE2200-26A500	2200 SPEAKER BOX PCN CK8840	1	PCS	
39-NE2200-26A700	2200 SPEAKER BOX PCN CK8843	1	PCS	
39-NE2200-26A600	2200 SPEAKER BOX PCN CK8841	1	PCS	
39-NE2200-26A200	2200 SPEAKER BOX PCN CK8842	1	PCS	
09-PRC501-14A101	REMOTE CONTROL ASS'Y PRC501-14 MCD7D9D	1	SET	
13000665	CHIP RESISTOR 2.2 1/16W J(0805)	1	PCS	R1
13000135	CHIP RESISTOR 680 1/16W J (0805)	1	PCS	R3
14000315	ELECTROLYTIC CAPACITOR 47u 10V L 4X7	1	PCS	C1
16000255	INFRARED-EMITTING DIODE Φ 5 1L0534F13A0TC	1	PCS	D1
17000005	CHIP TRANSISTOR BC817-25(SOT23)	1	PCS	Q2
19000294	IC TM58PR11S18C	1	PCS	U1
35-PRC501-01A1	REMOTE CONTROL PCB PRC501 195X38	1	PCS	
37000800	IRON BLOCK 35X26.6X5	1	PCS	
37-PRC502-01A100	PRC502 REMOTE SPRING WIRE 3 in 1	1	SET	
39-PRC501-01A110	PRC501 REMOTE CONTROL CABINET TOP	1	PCS	
39-PRC502-02A101	PRC502 REMOTE CONTROL CABINET BACK	1	PCS	
39-PRC502-03A101	PRC502 REMOTE BATTERY COVER	1	PCS	
39-PRC502-04A101	PRC502 REMOTE DECORATIVE LOOP SILVER	1	PCS	
39-PRC502-05A100	PRC502 REMOTE FRONT LENS	1	PCS	
36000492	BLACK SPONGE 12X6X5 40°	2	PCS	
36001155	CONDUCTIVE RUBBER PRC501	1	PCS	
41003940	REMOTE CONTROL LABEL PH 38X18	1	PCS	
41005241	REMOTE CONTROL LABEL PRC501-14 35X7.5	1	PCS	
41000183	PE POLYBAG 26X7cm	1	PCS	
45-PRC501-14A	PRC501-14 SOFTWARE A(V1.1)	1	PCS	
09-MCD705-03A101	PLEXIG. BKT ASS'Y PH MCD705 232X220.5X6	1	SET	
36000419	MCD705 PLEXIGLASS 232X220.5X6	1	PCS	
36000511	RUBBER FOOT Φ 4X7.8 MCD705	4	PCS	
38000358	SCREW 5.8X16FA NICKEL-PLATE	4	PCS	
39-MCD705-22A101	MCD705 BRACKET FOOT SILVER ABS	4	PCS	
39-MCD705-23A101	MCD705 BRACKET FOOT COVER SILVER ABS	4	PCS	
41000198	PE POLYBAG 30X25cm	1	PCS	